

TABLE OF CONTENTS

[Back to Main Menu](#)

Single Cartridge Housings

FO - Series	1
RH - Series	3
FA - Series	5
CSF - Series	7

[Click Here
Go to Single
Section](#)

Multi Cartridge Housings

4 & 5 FOS	9
7 FOS	11
12 & 22 FOS	13
36 & 52 FOS	15

[Click Here
Go to Multi
Section](#)

Bag Filtration

BF Single Housings	17
BFS Multi Housings	19
HTF Bags	21

[Click Here
Go to Bag
Section](#)

Jumbo Filters

SJCH Housings	23
---------------	----

[Click Here
Go to Jumbo
Section](#)

Plastic Housings

VPH - Series	25
SPH - Series	27

[Click Here
Go to Plastic
Housings](#)

Cartridges

MH - Series	29
MP - Series	31
ME - Series	33
MS - Series	35
MB - Series	37
R - Series	39
SS - Series	41
SCB - Series	43
SJC Cartridges	45

[Click Here
Go to
Cartridge
Section](#)



FOS, FOSBN, FOC Series

Single Cartridge Housings for Liquids

Our proven single shell design has been a standard in the industry for over 30 years. Available in 304L or 316L Stainless Steel, Brass Nickel Plated Head with a 304L Body or Cast Iron Head with a Steel Body, the FO series is perfect for almost any application. The maximum design working pressure is 250psi @ 275°F. The FO series is available in a wide range of connection sizes to fit your application as well as a wide variety of gasket options that make this housing compatible with almost any fluid. The standard gasket material is Buna-N. Please refer to our ordering guide for a complete list of options or contact one of our technical specialists for help.

Features

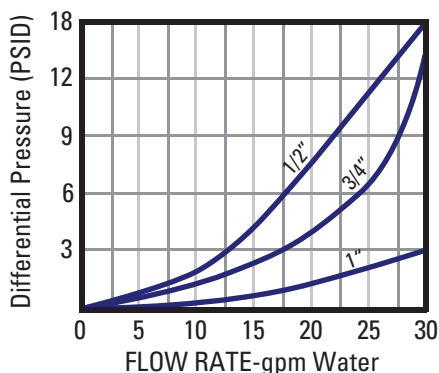
- Designed for industrial and commercial filtration needs
- Heavy duty construction for durability
- Offered in a wide variety of materials
- Simple bolt-n-nut design for quick cartridge change outs
- In line fittings for easy installation
- Knife edge seal at both cartridge ends to eliminate by-pass
- Housings accept double-open-end cartridges
- Complete selection of pipe fittings: flanged, sanitary and BSP available

Precision machined
knife edge seal



Machined gasket groove
providing a positive seal

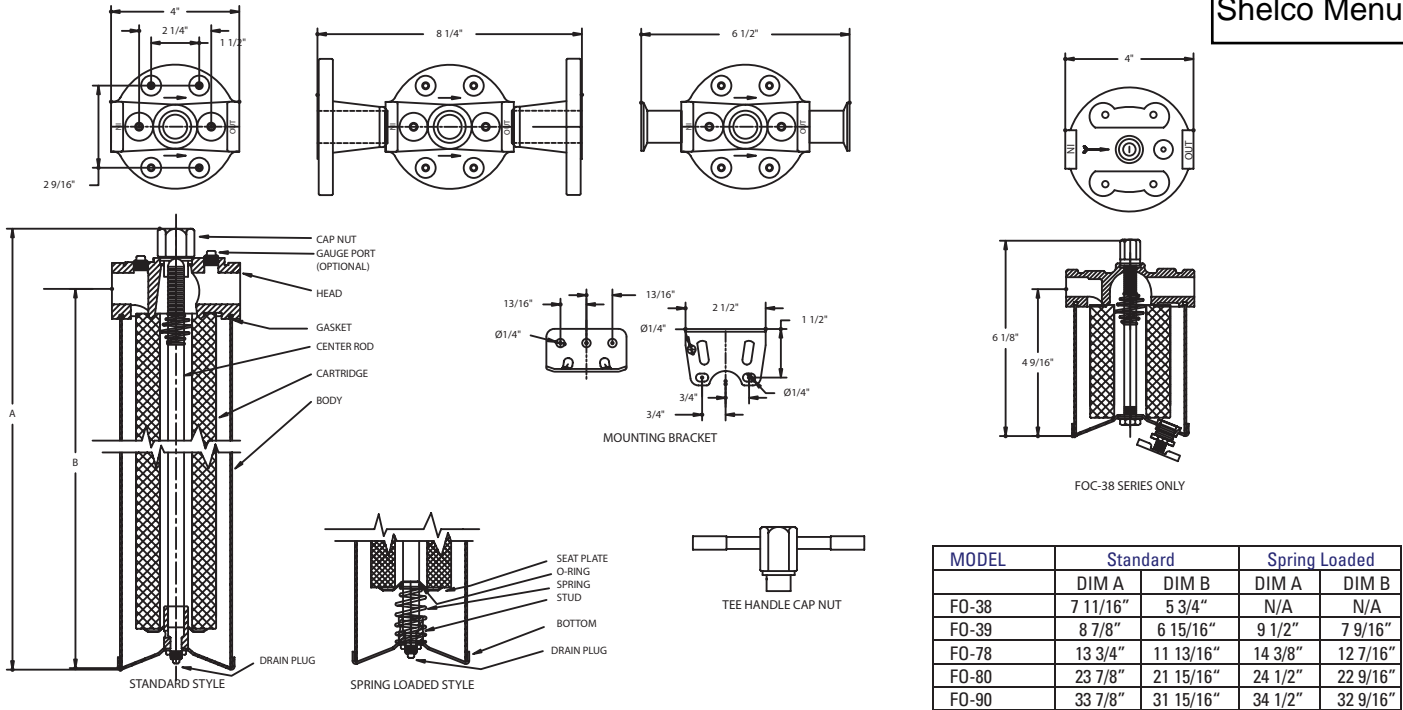
Housing Pressure Drop vs.
Flow Rate



Standard Design Specifications

Model	Qty. (Length) of Cartridges	Flow Rate GPM*	Drain	Max Ctg Diameter	Approx. Ship Weight	Box Size
FO-38	1 (3 3/4")	1.75	1/4" NPT	2 3/4" OD	4 lbs	4x5x16
FO-39	1 (4 7/8")	3.5	1/8" NPT	2 3/4" OD	5 lbs	4x5x16
FO-78	1 (9 3/4")	7	1/8" NPT	2 3/4" OD	7 lbs	4x5x16
FO-80	1 (20")	14	1/8" NPT	2 3/4" OD	10 lbs	4x5x25
FO-90	1 (30")	21	1/8" NPT	2 3/4" OD	12 lbs	4x5x34

*Based on 7gpm per 10" length with a 25 micron wound cartridge at 2PSID clean and a viscosity of 1 cps. Flow rates are guide lines only. Actual flow rates are based on fluid, viscosity, cartridge type, micron ratings and other factors.



ORDERING GUIDE

FO	S	-	78	6	-	316	-	TH	-	E
Model	Material		Cartridge Length	Pipe Size FNPT		Optional Material		Options		Gasket
FO	S 304L Stainless Steel with stainless steel drain plug		38 = 3 3/4" 39 = 4 7/8" 78 = 9 3/4" 80 = 20" 90 = 30"	4 = 1/2" 6 = 3/4" 8 = 1"		Blank = 304L 316 = 316L		Blank = None BSP = BSP thread 1F = 1" Flange 1TC = 1" Ferrules *Vent = Vent Screw *GP4 = 1/4" gauge port *GP8 = 1/8" gauge port BR = Bracket Kit DSG = Variable Seal (spring loaded) TH = Tee Handle 10 = 10" Cartridge Length 195 = 19 1/2" Cartridge Length 294 = 29 1/4" Cartridge Length		Blank = Buna E = EPDM S = Silicone V = Viton T = Teflon N = Neoprene VELL = Vellumoid
FO	SBN Brass nickel-plated head 304L stainless steel sump with brass petcock drain		38 = 3 3/4" 39 = 4 7/8" 78 = 9 3/4" 80 = 20" 90 = 30"	4 = 1/2" 6 = 3/4" 8 = 1"		Blank = None		Blank = None BSP = BSP thread *Vent = Vent Screw *GP4 = 1/4" gauge port *GP8 = 1/8" gauge port BR = Bracket Kit DSG = Variable Seal (spring loaded) TH = Tee Handle 10 = 10" Cartridge Length 195 = 19 1/2" Cartridge Length 294 = 29 1/4" Cartridge Length		Blank = Buna E = EPDM S = Silicone V = Viton T = Teflon N = Neoprene VELL = Vellumoid
FO	C Cast iron head steel sump with brass petcock drain		†38 = 3 3/4" 39 = 4 7/8" 78 = 9 3/4" 80 = 20" 90 = 30"	†2 = 1/4" †3 = 3/8" 4 = 1/2" 6 = 3/4" 8 = 1"		Blank = None		Blank = None BSP = BSP thread *Vent = Vent Screw *GP4 = 1/4" gauge port *GP8 = 1/8" gauge port BR = Bracket Kit DSG = Variable Seal (spring loaded) TH = Tee Handle 10 = 10" Cartridge Length 195 = 19 1/2" Cartridge Length 294 = 29 1/4" Cartridge Length		Blank = Buna E = EPDM S = Silicone V = Viton T = Teflon N = Neoprene VELL = Vellumoid

*When ordering vents or gauge ports you must specify location:
I = Inlet; O = Outlet; I/O = Inlet and Outlet. Example: GP4I or GP4I/O
†1/4" and 3/8" available only on the FOC-38 Series
†125 PSI maximum pressure rating



Distributed by: John Mulhern Company
800 761-9201 fax 707 578-8692
email: info@jmulhern.com

SHELCO FILTERS



RHS, RHB Series

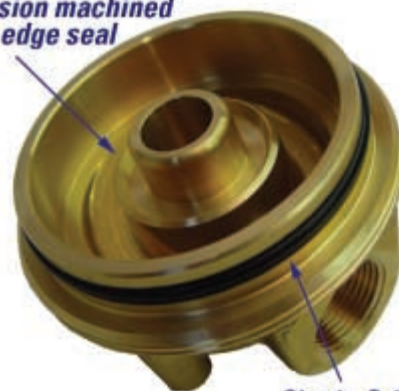
Single Cartridge Housings for Liquids

Our proven single shell design has been a standard in the industry for over 30 years. Available in either 316L Stainless Steel or Brass Head with a 304L body, the RH series is perfect for almost any application. The maximum design working pressure is 300psi @ 200°F. The RH series is available in a wide range of connection sizes to fit your application as well as a wide variety of gasket options that make this housing compatible with almost any fluid. The standard gasket material is Buna-N. Please refer to our ordering guide for a complete list of options or contact one of our technical specialists for help.

Features

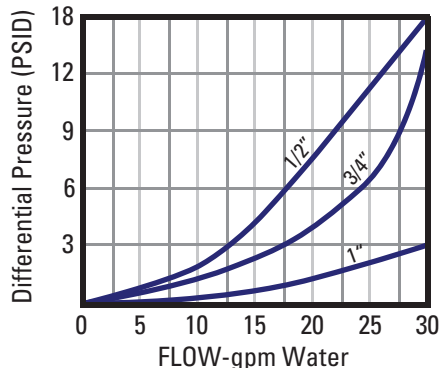
- Designed for industrial and commercial filtration needs
- Heavy duty construction for durability
- Offered in several materials
- Simple ring closure for quick cartridge change outs
- In line fittings for easy installation
- Knife edge seal at both cartridge ends to eliminate by-pass
- Housings accept double-open-end cartridges
- Complete selection of pipe fittings: flanged, sanitary and BSP
- Standard with mounting bracket kit

Precision machined
knife edge seal



Single O-Ring seal

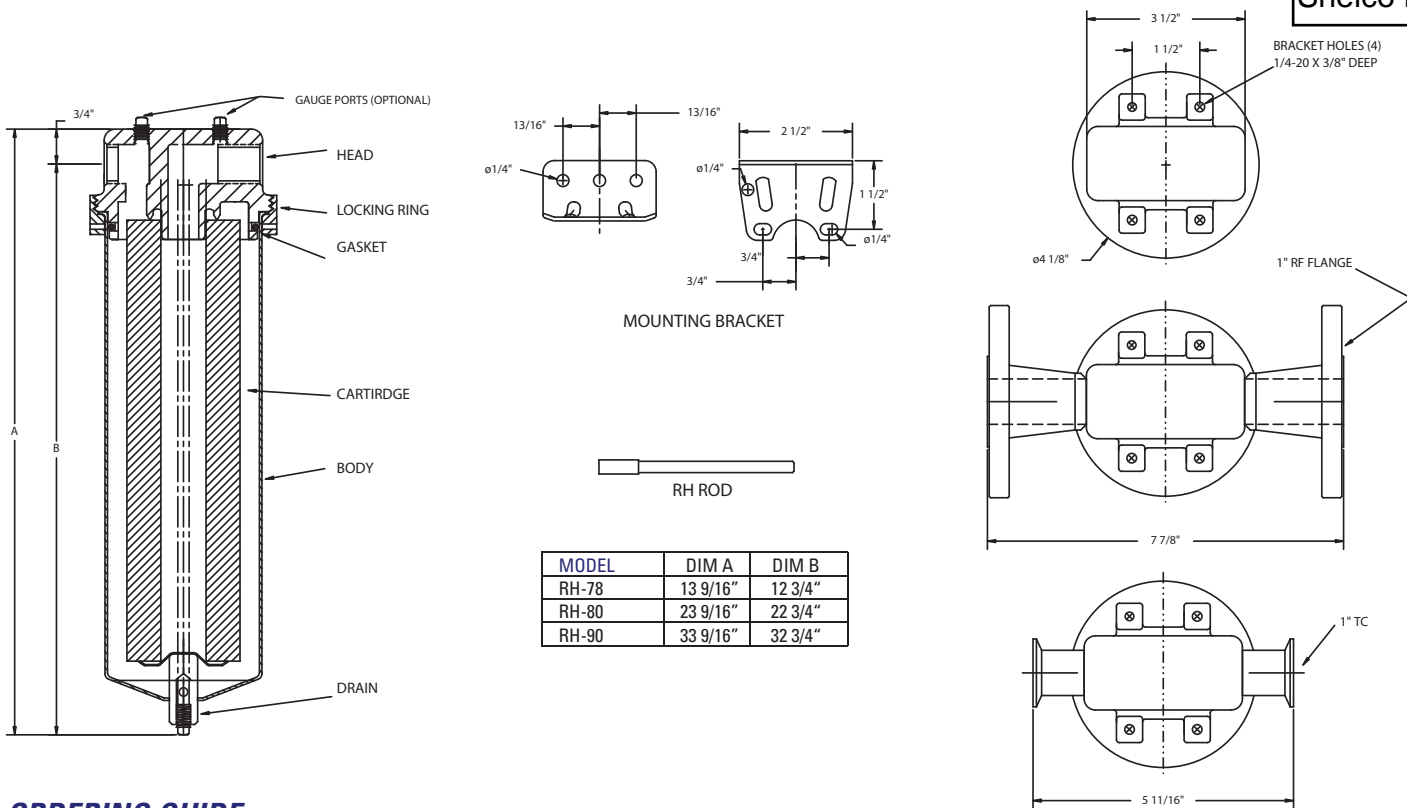
**Housing Pressure Drop vs.
Liquid Flow Rate**



Standard Design Specifications

Model	Qty. (Length) of Cartridges	Flow Rate GPM*	Drain	Max Ctg Diameter	Approx. Ship Weight	Box Size
RH-78	1 (9 3/4")	7	1/8" NPT	2 3/4" OD	6 lbs	4x5x16
RH-80	1 (20")	14	1/8" NPT	2 3/4" OD	8 lbs	4x5x25
RH-90	1 (30")	21	1/8" NPT	2 3/4" OD	11 lbs	4x5x34

*Based on 7gpm per 10" length with a 25 micron wound cartridge at 2PSID clean and a viscosity of 1 cps. Flow rates are guide lines only. Actual flow rates are based on fluid, viscosity, cartridge type, micron ratings and other factors.



ORDERING GUIDE

RH	S	-	78	8	-	1F	-	E
Model	Material		Cartridge Length	Pipe Size FNPT		Options		Gasket
RH	S 316L Stainless Steel with stainless steel drain plug		78 = 9 3/4" 80 = 20" 90 = 30"	4 = 1/2" 6 = 3/4" 8 = 1"		Blank = None BSP = BSP thread 1F = 1" Flange 1TC = 1" Ferrules *Vent = Vent Screw *GP4 = 1/4" gauge port *GP8 = 1/8" gauge port DSG = Variable Seal (spring loaded) 10 = 10" Cartridge Length 195 = 19 1/2" Cartridge Length 294 = 29 1/4" Cartridge Length		Blank = Buna E = EPR S = Silicone V = Viton
RH	B Brass head 304L stainless steel sump with brass petcock drain.		78 = 9 3/4" 80 = 20" 90 = 30"	4 = 1/2" 6 = 3/4" 8 = 1"		Blank = None BSP = BSP thread *Vent = Vent Screw *GP4 = 1/4" gauge port *GP8 = 1/8" gauge port DSG = Variable Seal (spring loaded) 10 = 10" Cartridge Length 195 = 19 1/2" Cartridge Length 294 = 29 1/4" Cartridge Length		Blank = Buna E = EPR S = Silicone V = Viton

*When ordering vents or gauge ports you must specify location:
I = Inlet; O = Outlet; I/O = Inlet and Outlet.
Example: GP4I or GP4/O



Ring Closure



Distributed by: John Mulhern Company
800 761-9201 fax 707 578-8692
info@jmulhern.com

SHELCO FILTERS



FAS, FAC SERIES

Single Cartridge Housings For Air And Gases

Our proven single shell design has been a standard in the industry for over 30 years. Available in 304L Stainless Steel or Cast Iron Head with a Steel body, this series is perfect for almost any application. The maximum design working pressure is 250 P.S.I. (17 bar) @ 275°F (135°C). The FA Series is available in a connection size to fit your application as well as a wide variety of gasket options. The standard gasket material is Buna-N. Please refer to our ordering guide for a complete list of options or contact one of our technical specialist for help.

Features

- Designed for industrial and commercial filtration needs
- Heavy duty construction for durability
- Offered in carbon steel and stainless steel materials
- Simple bolt-n-nut design for quick cartridge change outs
- In line fittings for easy installation
- Knife edge seal at both cartridge ends to eliminate by-pass
- Housings accept double-open-end cartridges
- Complete selection of pipe sizes

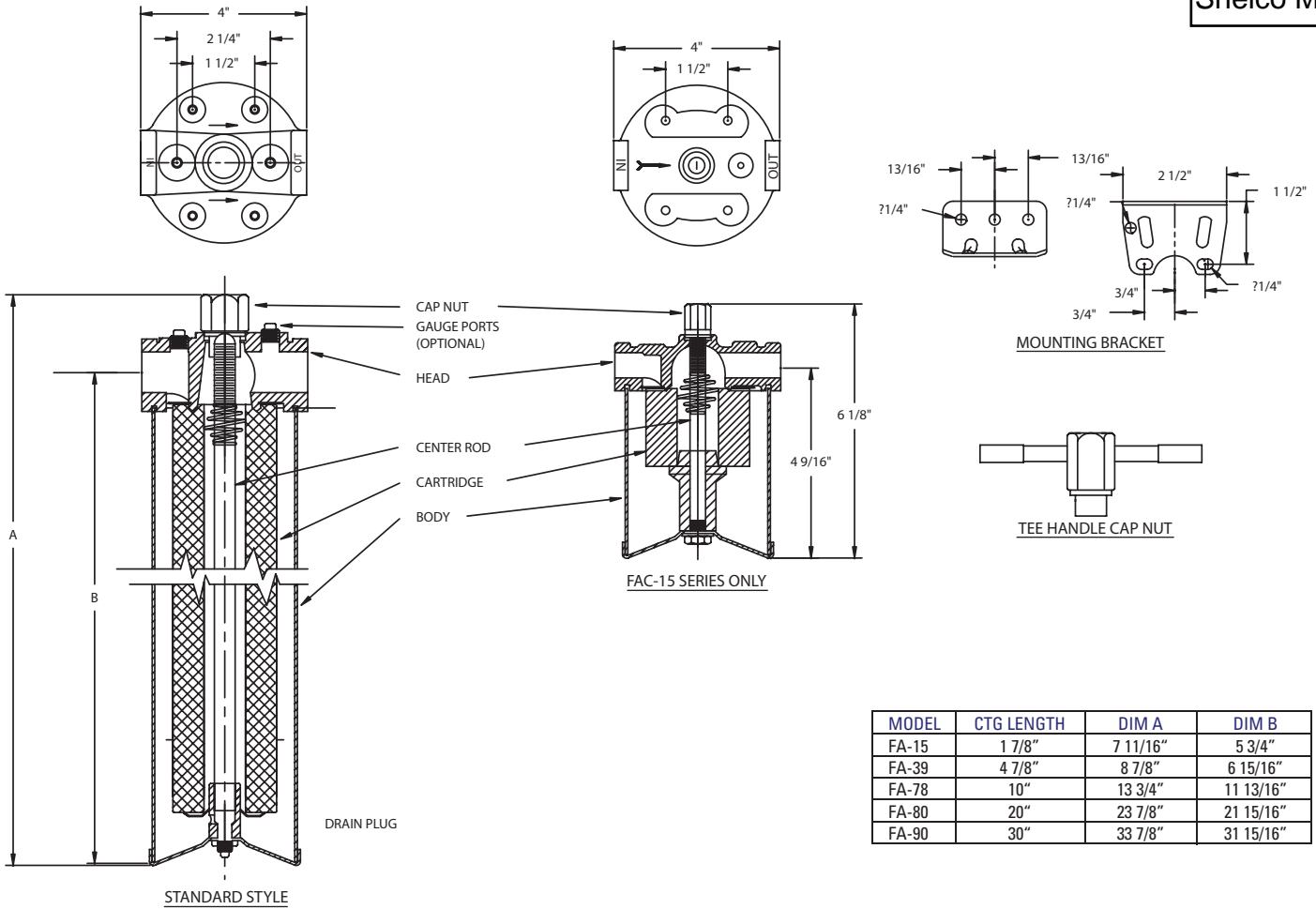


MS Series Wound Cartridges

Standard Design Specifications

Model	No. & (length) Of Cartridge	Rated Capacity*	Drain NPT	Max Ctg Diameter	Approx. Ship Weight	Box Size	Max Pressure
FA-15	1(1 7/8")	15 SCFM	1/4"	2 5/8"	4 lbs	4x5x16	125 PSI
FA-39	1 (4 7/8")	40 SCFM	1/8"	2 5/8"	5 lbs	4x5x16	250 PSI
FA-78	1 (9 3/4")	80 SCFM	1/8"	2 5/8"	7 lbs	4x5x16	250 PSI
FA-80	1 (20")	140 SCFM	1/8"	2 5/8"	10 lbs	4x5x25	250 PSI
FA-90	1 (30")	220 SCFM	1/8"	2 5/8"	12 lbs	4x5x34	250 PSI

*Based on air with a 10 micron wound element, 70 F, 2 psid at 80 psi. Rated Capacities are guide lines only, actual flow rates are based on cartridge type, micron ratings and other factors.



ORDERING GUIDE

FA	S	-	78	6	-	TH	-	E
Model	Material		Cartridge Length	Pipe Size FNPT		Options		Gasket
FA	S 304L Stainless Steel with stainless steel drain plug		39 = 4 7/8" 78 = 9 3/4" 80 = 20" 90 = 30"	4 = 1/2" 6 = 3/4" 8 = 1"		Blank = None BSP = BSP thread 1F = 1" Flange 1TC = 1" Ferrules *Vent = Vent Screw *GP4 = 1/4" gauge port *GP8 = 1/8" gauge port BR = Bracket Kit TH = Tee Handle 10 = 10" Cartridge Length 195 = 19 1/2" Cartridge Length 294 = 29 1/4" Cartridge Length		Blank = Buna E = EPR S = Silicone V = Viton T = Teflon N = Neoprene VELL = Vellumoid
FA	C Cast iron head steel sump with brass petcock drain		†15 = 17/8" 39 = 4 7/8" 78 = 9 3/4" 80 = 20" 90 = 30"	†2 = 1/4" †3 = 3/8" 4 = 1/2" 6 = 3/4" 8 = 1"		Blank = None BSP = BSP thread *Vent = Vent Screw *GP4 = 1/4" gauge port *GP8 = 1/8" gauge port BR = Bracket Kit TH = Tee Handle 10 = 10" Cartridge Length 195 = 19 1/2" Cartridge Length 294 = 29 1/4" Cartridge Length		Blank = Buna E = EPR S = Silicone V = Viton T = Teflon N = Neoprene VELL = Vellumoid

*When ordering vents or gauge ports you must specify location:
I = Inlet; O = Outlet; I/O = Inlet and Outlet. Example: GP4I or GP4I/O
†1/4" and 3/8" available only on the FAC-15 Series
†125 PSI maximum pressure rating



Distributed by: John Mulhern Company
800 761-9201 fax 707 578-8692
info@jmulhern.com

SHELCO FILTERS



CSF SERIES

Single Cartridge Housings

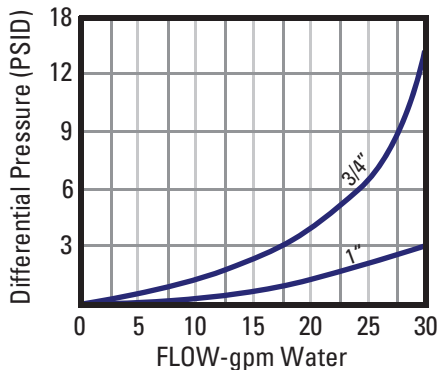
The CSF series single open end cartridge housing accepts either 222 or 226 style elements, and is made of 316L Stainless Steel with a maximum design working pressure of 300 P.S.I. (20 bar) @ 200°F (93°C). Designed with a quick locking ring closure for easy cartridge change outs. The CSF Series is available in 3/4" and 1" connections with other fittings available. As well as a wide variety of gasket options that make this housing compatible with almost any fluid. The standard gasket material is Buna-N. Please refer to our complete ordering guide for a complete list of options or contact one of our technical specialist for help.

Features

- Designed for industrial and commercial filtration needs
- Heavy duty construction for durability
- Offered in 316L stainless steel
- Plated ring closure for quick cartridge change outs
- In line fittings for easy installation
- Available in 222 or 226 style adaptors
- Housings accept both fin or flat cap configurations
- Choose from FNPT, Flanged, Sanitary or BSP connections
- Standard with mounting bracket kit.



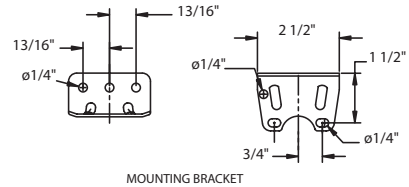
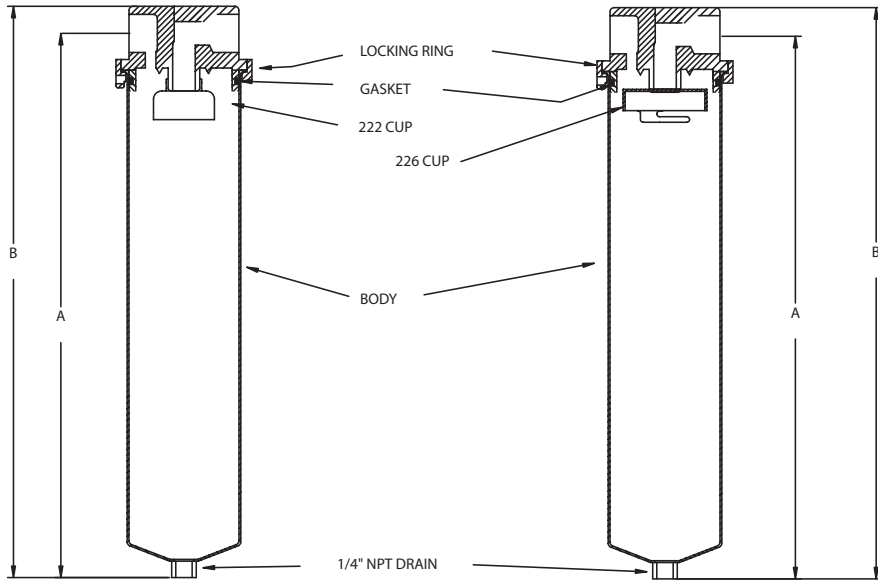
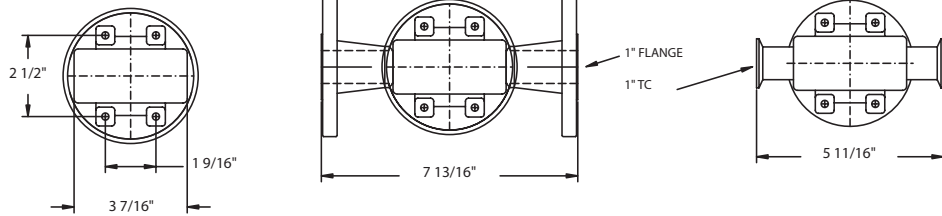
**Housing Pressure Drop vs.
Liquid Flow Rate**



Standard Specifications

Model	No. & (Length) of Cartridge	Flow Rate GPM*	Drain	Max Ctg Diameter	Approx. Ship Weight	Box Size
CSF-78	1 (10")	7	1/4" NPT	2 3/4" OD	7 lbs	4x5x16
CSF-80	1 (20")	14	1/4" NPT	2 3/4" OD	9 lbs	4x5x25
CSF-90	1 (30")	21	1/4" NPT	2 3/4" OD	12 lbs	4x5x34

*Based on 7 gpm per 10" length with a 25 micron wound cartridge at 2 psid clean and a viscosity of 1 cps. Flow rates are for guide lines only. Actual flow rates are based on fluid, viscosity, cartridge type, micron ratings and other factors.



MODEL	DIM A	DIM B
CSF-78	16 9/16"	17 7/16"
CSF-80	26 9/16"	27 7/16"
CSF-90	36 9/16"	37 7/16"

ORDERING GUIDE

CSF	-	78	8	-	222	-	ITC	-	S
Model / Material		Cartridge Length	Pipe Size FNPT		Cartridge Style		Options		Gasket
CSF 316 L Stainless Steel with stainless steel drain plug. Closure ring is nickel plated brass and is a non wetted part.		78 = 10" 80 = 20" 90 = 30"	6 = 3/4" 8 = 1"		222 = 222 Cup 226 = 226 Cup with locking tabs		Blank = None BSP = BSP thread 1F = 1" Flange 1TC = 1" Ferrules *GP4 = 1/4" gauge port *GP8 = 1/8" gauge port		Blank = Buna E = EPR S = Silicone V = Viton

* When ordering vents or gauge ports you must specify location I = Inlet, O = Outlet and I/O = Inlet & Outlet. Example GP4I or GP4/O.

Shelco's Micro Vantage™
High efficiency and Absolute rated cartridges



Distributed by: John Mulhern Company
800 761-9201 fax 707 578-8692
info@jmulhern.com

SHELCO FILTERS



4FOS and 5FOS Multi-Cartridge Housings

We manufacture a complete line of four and five round models to accommodate a wide range of flow rates. Options include 304L or 316L stainless steel; band clamp or swing bolt closure. Design pressure 150psi (10bar) @ 300°F (149°C). Standard inlet and outlet connections are 2" MNPT with many other options available. Standard finish is poly-coat over stainless and other options can be special ordered. Standard gasket is FDA grade Buna-N.

Features

- Designed for industrial and commercial filtration needs
- Heavy duty stainless steel construction for durability
- 304L standard and 316L stainless steel available.
- Band clamp and swing-bolt closures for quick cartridge change outs
- Pipe fittings readily accessible for easy installation
- Knife edge seal at both cartridge ends to eliminate by-pass
- Standard housings accept double-open-end cartridges
- Available with 222 or 226 cartridge adapters
- Complete selection of pipe fittings: flanged, sanitary, BSP, grooved and others
- See ordering guide for a complete selection of options to fit your application



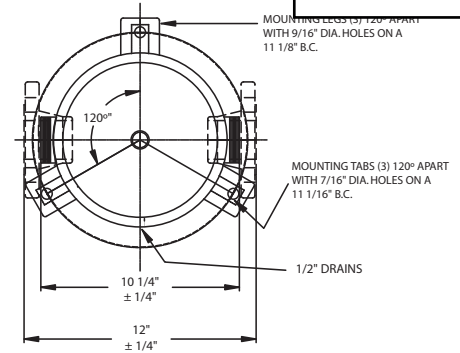
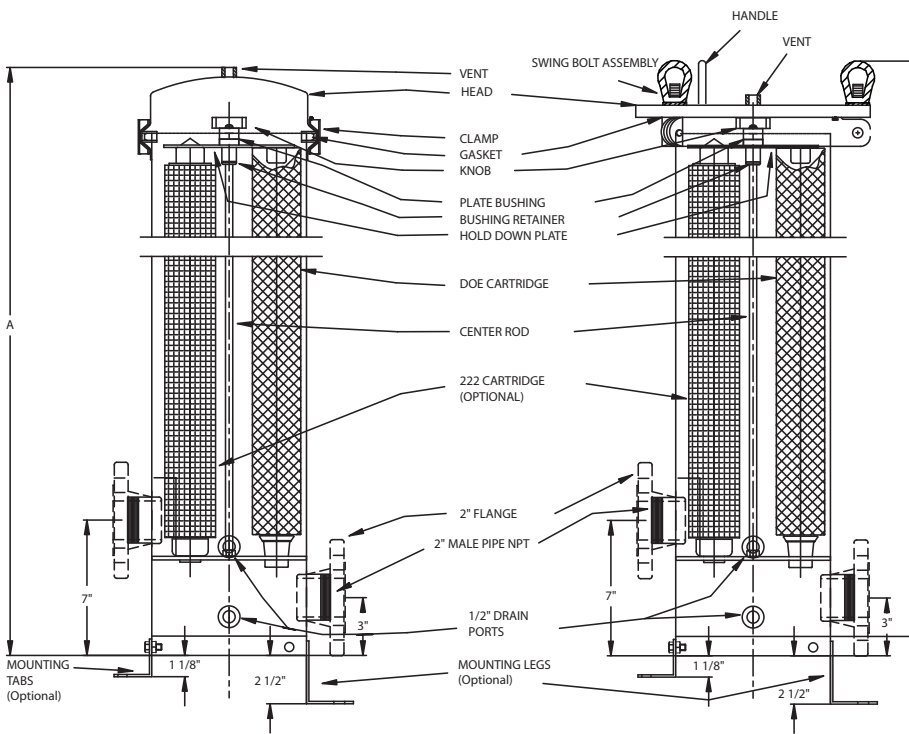
Adjustable top plate accepts variable length cartridges

Standard Design Specifications

Model	Qty. (Length) of Cartridges†	Flow Rate GPM*	Pipe Size	Drains	Vent	Max Ctg Diameter	Shipping Wgt. Clamp	Box Size Clamp	Shipping Wgt. Swing Bolt	Box Size Swing Bolt
4FOS1	4 (10")	28	2" MNPT	1/2"NPT	1/4"NPT	2 3/4" OD	25 lbs	12x12x23	62 lbs	18x18x27
4FOS2	4 (20")	56	2" MNPT	1/2"NPT	1/4"NPT	2 3/4" OD	31 lbs	12x12x33	68 lbs	18x18x37
4FOS3	4 (30")	84	2" MNPT	1/2"NPT	1/4"NPT	2 3/4" OD	38 lbs	12x12x43	74 lbs	18x18x47
4FOS4	4 (40")	112	2" MNPT	1/2"NPT	1/4"NPT	2 3/4" OD	45 lbs	12x12x53	80 lbs	18x18x57
5FOS1	5 (10")	35	2" MNPT	1/2"NPT	1/4"NPT	2 3/4" OD	26 lbs	12x12x23	64 lbs	18x18x27
5FOS2	5 (20")	70	2" MNPT	1/2"NPT	1/4"NPT	2 3/4" OD	32 lbs	12x12x33	70 lbs	18x18x37
5FOS3	5 (30")	105	2" MNPT	1/2"NPT	1/4"NPT	2 3/4" OD	39 lbs	12x12x43	76 lbs	18x18x47
5FOS4	5 (40")	140	2" MNPT	1/2"NPT	1/4"NPT	2 3/4" OD	46 lbs	12x12x53	82 lbs	18x18x57

†Housings will accept: 10" = (9 3/4" or 10") 20" = (19 1/2" or 20") 30" = (29 1/4" or 30") 40" = (39" or 40") lengths

*Based on 7gpm per 10" length with a 25 micron wound cartridge at 2PSID clean and a viscosity of 1 cps. Flow rates are for guide lines only. Actual flow rates are based on fluid, viscosity, cartridge type, micron ratings and other factors.



MODEL	CLAMP STYLE	SWING BOLT STYLE
	DIM A	DIM A
4FOS1	20 7/8"	22 1/4"
4FOS2	30 7/8"	32 1/4"
4FOS3	40 7/8"	42 1/4"
4FOS4	50 7/8"	52 1/4"
5FOS1	20 7/8"	22 1/4"
5FOS2	30 7/8"	32 1/4"
5FOS3	40 7/8"	42 1/4"
5FOS4	50 7/8"	52 1/4"

ORDERING GUIDE

4 FOS 2 - SB - 316 - 222 - 2TC - EP - ML - E									
No. of Columns	Product Code	No. of Stacks	Closure Style	Material	Cartridge Configuration	Connection Type	Finish	Options	Gasket
4 5	FOS	1 = 1 High 2 = 2 High 3 = 3 High 4 = 4 High	Blank = V-Band Clamp SB = Swing Bolt	Blank = 304L 316 = 316L	Blank = Double Open Ended 222 = 222 Style Cartridge Fin or Flat 226 = 226 Style Cartridge Fin or Flat	Blank = 2" MNPT 1.5MNPT = 1 1/2" MNPT BSP = 2" BSP-NIPPLE 1F = 1" Flange 1.5F = 1 1/2" Flange 2F = 2" Flange 1TC = 1" Ferrules 1.5TC = 1 1/2" Ferrules 2TC = 2" Ferrules 2.5TC = 2 1/2" Ferrules GF1.5 = 1 1/2" Grooved Fittings GF2 = 2" Grooved Fittings 2FMPT = 2" Coupling	Blank = Standard Poly Coat EP = Electro-Polished GB = Glass Bead P = Passivate	Blank = None ML = Legs TABS = Tabs OL = Heavy Duty Legs GP = Gauge Ports GPA = Gauge Ports with gauges UP = Universal Parts	Blank = Buna E = EPR S = Silicone V = Viton TS = Teflon Encapsulated Silicone



Mounting Tabs
(May be installed at site)



Sanitary Fittings



Gauge Port Assembly
with Mounting Legs



Electro-polish



Distributed by: John Mulhern Company
800 761-9201 fax 707 578-8692
info@jmulhern.com

SHELCO FILTERS



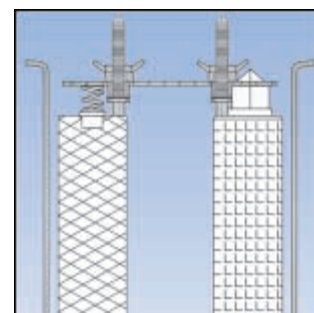
7FOS

Universal Multi-Cartridge Housings

Our seven round models are designed for flow rates to 200 GPM. "Universal" housings accept DOE, 222 fin or flat cartridges. Options include 304L or 316L stainless steel; band clamp or swing bolt closure. Design pressure 150psi (10bar) @ 300°F (149°C). Standard inlet and outlet connections are 2" MNPT with many other options available by special order. Standard finish is poly-coat over stainless. All seven round models are standard with mounting legs. Standard gasket is FDA grade Buna-N.

Features

- Designed for industrial and commercial filtration needs
- Heavy duty stainless steel construction for durability
- 304L standard and 316L stainless steel available.
- Band clamp and swing-bolt closures for quick cartridge change outs
- Pipe fittings readily accessible for easy installation
- Mounting legs standard
- Knife edge seal at both cartridge ends to eliminate by-pass
- Standard housings accept double-open-end cartridges and 222/Flat or Fin
- Available with 226 cartridge adapters
- Complete selection of pipe fittings: flanged, sanitary, BSP, grooved and others
- See ordering guide for a complete selection of options to fit your application



Adjustable top plate takes DOE or 222/Fin or Flat Cartridges

Standard Design Specifications

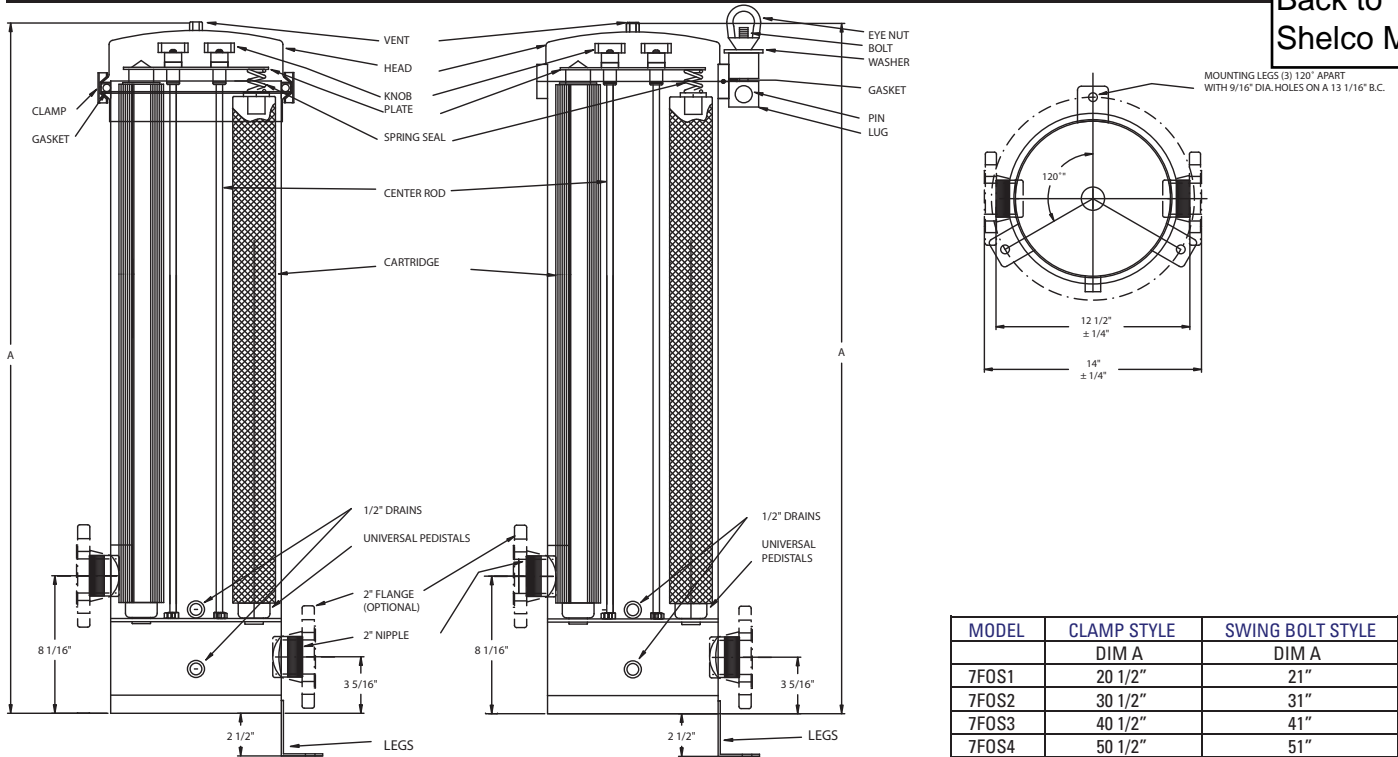
Model	Qty. (Length) of Cartridges†	Flow Rate GPM*	Pipe Size	Drains	Vent	Max Ctg Diameter	Shipping Wgt. Clamp	Box Size Clamp	Shipping Wgt. Swing Bolt	Box Size Swing Bolt
7FOS1	7 (10")	49	2" MNPT	1/2"NPT	1/4"NPT	2 3/4" OD	40 lbs	18x18x25	71 lbs	18x18x29
7FOS2	7 (20")	98	2" MNPT	1/2"NPT	1/4"NPT	2 3/4" OD	51 lbs	18x18x35	82 lbs	18x18x39
7FOS3	7 (30")	147	2" MNPT	1/2"NPT	1/4"NPT	2 3/4" OD	60 lbs	18x18x45	91 lbs	18x18x49
7FOS4	7 (40")	196	2" MNPT	1/2"NPT	1/4"NPT	2 3/4" OD	70 lbs	18x18x55	101 lbs	18x18x59

†Housings will accept: 10" = (9 3/4" or 10") 20" = (19 1/2" or 20") 30" = (29 1/4" or 30") 40" = (39" or 40") lengths

*Based on 7gpm per 10" length with a 25 micron wound cartridge at 2PSID clean and a viscosity of 1 cps. Flow rates are for guide lines only. Actual flow rates are based on fluid, viscosity, cartridge type, micron ratings and other factors. It is recommended if your flow rate is greater than 150gpm that you increase your pipe size to 3" to reduce the pressure drop across the housing.

Dimensions

[Back to Shelco Menu](#)



MODEL	CLAMP STYLE	SWING BOLT STYLE
	DIM A	DIM A
7FOS1	20 1/2"	21"
7FOS2	30 1/2"	31"
7FOS3	40 1/2"	41"
7FOS4	50 1/2"	51"

ORDERING GUIDE

7 FOS 3 - SB - 316 - 226 - 2F - EP - OL - E									
No. of Columns	Product Code	No. of Stacks	Closure Style	Material	Cartridge Configuration	Connection Type	Finish	Options	Gasket
7	FOS	1 = 1 High 2 = 2 High 3 = 3 High 4 = 4 High	Blank = V-Band Clamp SB = Swing Bolt	Blank = 304L 316 = 316L	Blank = Universal Pedestal 226 = 226 Style Cartridge Fin or Flat	Blank = 2" MNPT 1.5MNPT = 1 1/2" MNPT BSP = 2" BSP-NIPPLE 1F = 1" Flange 1.5F = 1 1/2" Flange 2F = 2" Flange 3F = 3" Flange 1TC = 1" Ferrules 1.5TC = 1 1/2" Ferrules 2TC = 2" Ferrules 2.5TC = 2 1/2" Ferrules 3TC = 3" Ferrules GF1.5 = 1 1/2" Grooved Fittings GF2 = 2" Grooved Fittings GF3 = 3" Grooved Fittings 2FMPT = 2" Coupling	Blank = Standard Poly Coat EP = Electro-Polished GB = Glass Bead P = Passivate	Blank = ML Legs OL = Heavy Duty Legs GP = Gauge Ports GPA = Gauge Ports with gauges	Blank = Buna E = EPR S = Silicone V = Viton TS = Teflon Encapsulated Silicone



Flanged Fittings



Sanitary Fittings



Gauge Port Assembly



Electro-polish



Distributed by: John Mulhern Company
800 761-9201 fax 707 578-8692
info@jmulhern.com

SHELCO FILTERS



12FOS and 22FOS Multi Cartridge Housings

Our twelve and twenty-two round models are designed for flow rates up to 600 GPM. Housings accept double-open-end style cartridges. Options include 304L or 316L stainless steel; band clamp or swing bolt closure. Design pressure 150 psi (10 bar) @ 300° F (149° C). Standard inlet and outlet connections for the 12FOS series is 3" flanged and the 22FOS series is 4" flanged, with many other options available by special order. Standard finish is Poly-coat over stainless. All twelve and twenty-two round models are standard with heavy duty mounting legs. Standard gasket is FDA grade Buna-N.

Features

- Designed for industrial and commercial filtration needs
- Heavy duty stainless steel construction for durability
- 304L standard and 316L stainless steel available
- Band clamp and swing-bolt closures for quick cartridge change outs
- Heavy duty mounting legs standard
- Pipe fittings readily accessible for easy installation
- Knife edge seal at both cartridge ends to eliminate by-pass
- Adjustable top plate for more cartridge options
- Adapters for 222 or 226 style cartridges available by special order.
- Complete selection of pipe fittings, flanged, sanitary, BSP, Grooved and others
- See ordering guide for a complete section of options to fit your application



Adjustable top plate accepts variable length cartridges

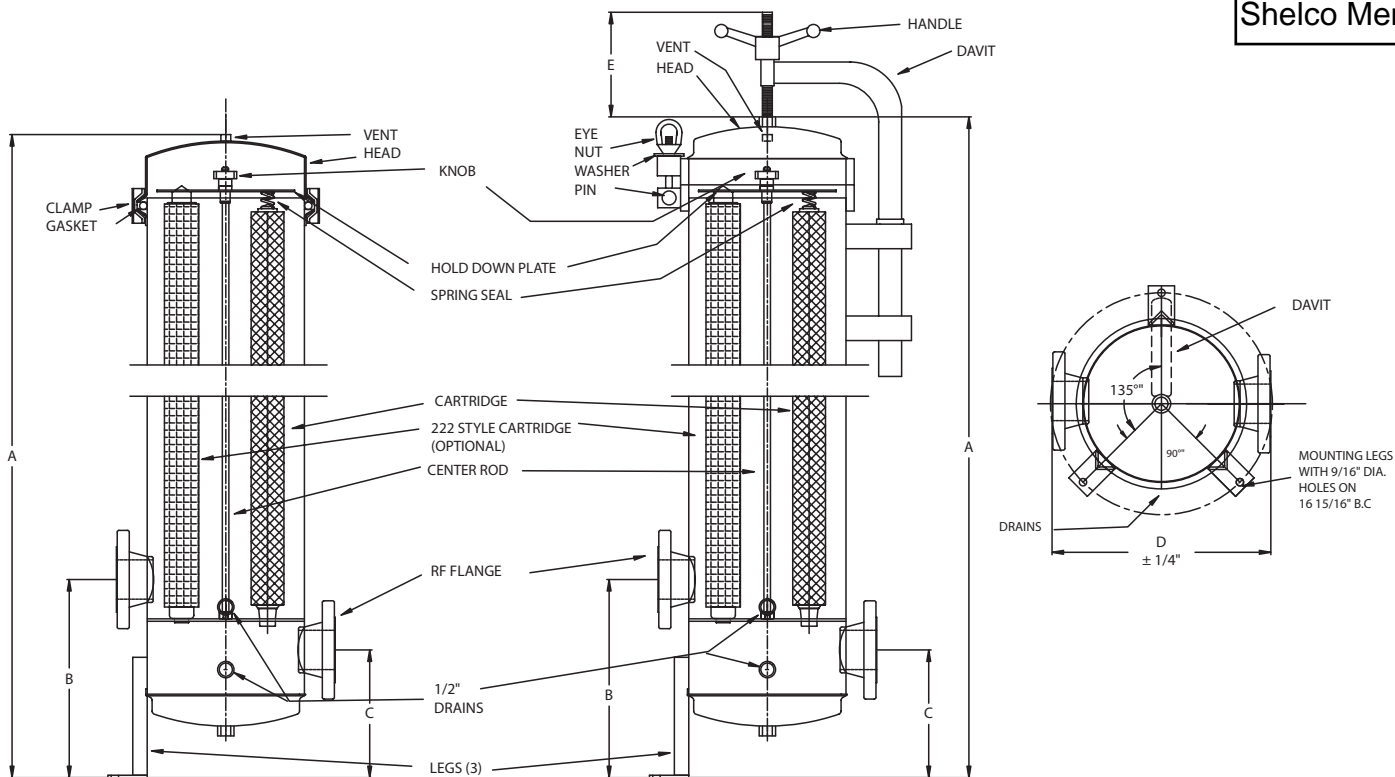
Standard Design Specifications

Model	No. & (length) Of Cartridges†	Flow Rate GPM*	Flange Size	Drains	Vent	Max Ctg Diameter°	Shipping Weight Clamp	Shipping Weight SB
12FOS2	12 (20")	168	3F	1/2" NPT	1/4" NPT	2 3/4" OD	86 lbs	131 lbs
12FOS3	12 (30")	252	3F	1/2" NPT	1/4" NPT	2 3/4" OD	92 lbs	142 lbs
12FOS4	12 (40")	336	3F	1/2" NPT	1/4" NPT	2 3/4" OD	100 lbs	150 lbs
22FOS3	22 (30")	462	4F	1/2" NPT	1/2" NPT	2 5/8" OD	140 lbs	205 lbs
22FOS4	22 (40")	616	4F	1/2" NPT	1/2" NPT	2 5/8" OD	165 lbs	225 lbs

† Housings will accept: 20" = (19 1/2" or 20") 30" = (29 1/4" or 30") 40" = (39" or 40") Lengths

*Based on 7 gpm per 10" length with a 25 micron wound cartridge at 2 psid clean and a viscosity of 1 cps. Flow rates are for guide lines only. Actual flow rates are based on fluid, viscosity, cartridge type, micron ratings and other factors.

° When using 222 or 226 adapters with the 22 FOS series housing you must change it to a 21 FOS (21 Round) max cartridge OD 2 3/4"



MODEL	CLAMP STYLE	SWING BOLT STYLE	B	C	D	E
	DIM. A	DIM. A				
12FOS2	20 1/2"	40 1/2"	15 1/8"	9 3/4"	16 11/16"	8"
12FOS3	49 1/2"	50 1/2"	15 1/8"	9 3/4"	16 11/16"	8"
12FOS4	59 1/2"	60 1/2"	15 1/8"	9 3/4"	16 11/16"	8"
22FOS3	50 3/16"	50 3/16"	15 1/4"	9 1/2"	21"	10"
22FOS4	60 3/16"	50 3/16"	15 1/4"	9 1/2"	21"	10"

ORDERING GUIDE

12	FOS	3	- SB -	316 -	222 -	3F -	EP -	GP -	E
No. of Columns	Product Code	No. of Stacks	Closure Style	Material	Cartridge Configuration	Connection Type	Finish	Options	Gasket
12 22	FOS	12 FOS 2 = 2 High 3 = 3 High 4 = 4 High 22 FOS 3 = 3 High 4 = 4 High	Blank = V-Band Clamp SB = Swing Bolt	Blank = 304L 316 = 316L	Blank = Double Open Ended 222 = 222 Style Cartridge Fin or Flat 226 = 226 Style Cartridge Fin or Flat	12 FOS Blank = 3" Flanged 22 FOS Blank = 4" Flanged OPTIONS 2F = 2" Flanged 2TC = 2" Ferrules 2GF = 2" Grooved Fittings 3F = 3" Flanged 3TC = 3" Ferrules 3GF = 3" Grooved Fittings 4F = 4" Flanged 4TC = 4" Ferrules 4GF = 4" Grooved Fittings	Blank = Standard Poly Coat EP = Electro-Polished GB = Glass Bead P = Passivate	Blank = None GP = Gauge ports GPA = Gauge ports with gauges	Blank = Buna E = EPR S = Silicone V = Viton TS = Teflon Encapsulated Silicone



Distributed by: John Mulhern Company
800 761-9201 fax 707 578-8692
info@jmulhern.com

SHELCO FILTERS



36FOS and 52FOS **Multi Cartridge Housings**

Our thirty six and fifty-two round models are designed for flow rates up to 1040 GPM. Housings accept double-open-end style cartridges. Options include 304L or 316L stainless steel with swing bolt closure and lifting davit. Design pressure 150 psi (10 bar) @ 300° F (149° C). Standard inlet and outlet connections for the 36 & 52 FOS series is 6" flanged, with many other options available by special order. Standard finish is Poly-coat over stainless. All thirty six and fifty-two round models are standard with heavy duty stainless steel mounting legs and FDA grade Buna-N gasket.

Features

- Designed for industrial and commercial filtration needs
- Heavy duty stainless steel construction for durability
- 304L standard and 316L stainless steel available
- Heavy duty swing-bolt closure for quick cartridge change outs
- All stainless steel heavy duty mounting legs standard
- Pipe fittings readily accessible for easy installation
- Knife edge seal at both cartridge ends to eliminate by-pass
- Adjustable top plate for more cartridge options
- Adapters for 222 or 226 style cartridges available by special order.
- Complete selection of pipe fittings, flanged, sanitary, BSP, grooved and others
- See ordering guide for a complete selection of options to fit your application

Standard Design Specifications

Model	No. & (Length) of Cartridges†	Flow Rate GPM*	Flange Size	Drains	Vent	Max Ctg Diameter•	Shipping Weight
36FOS3	36 (30")	540	6F	3/4" NPT	1/2" NPT	2 5/8" OD	321 lbs
36FOS4	36 (40")	720	6F	3/4" NPT	1/2" NPT	2 5/8" OD	375 lbs
52FOS3	52 (30")	780	6F	3/4" NPT	1/2" NPT	2 5/8" OD	543 lbs
52FOS4	52 (40")	1,040	6F	3/4" NPT	1/2" NPT	2 5/8" OD	591 lbs

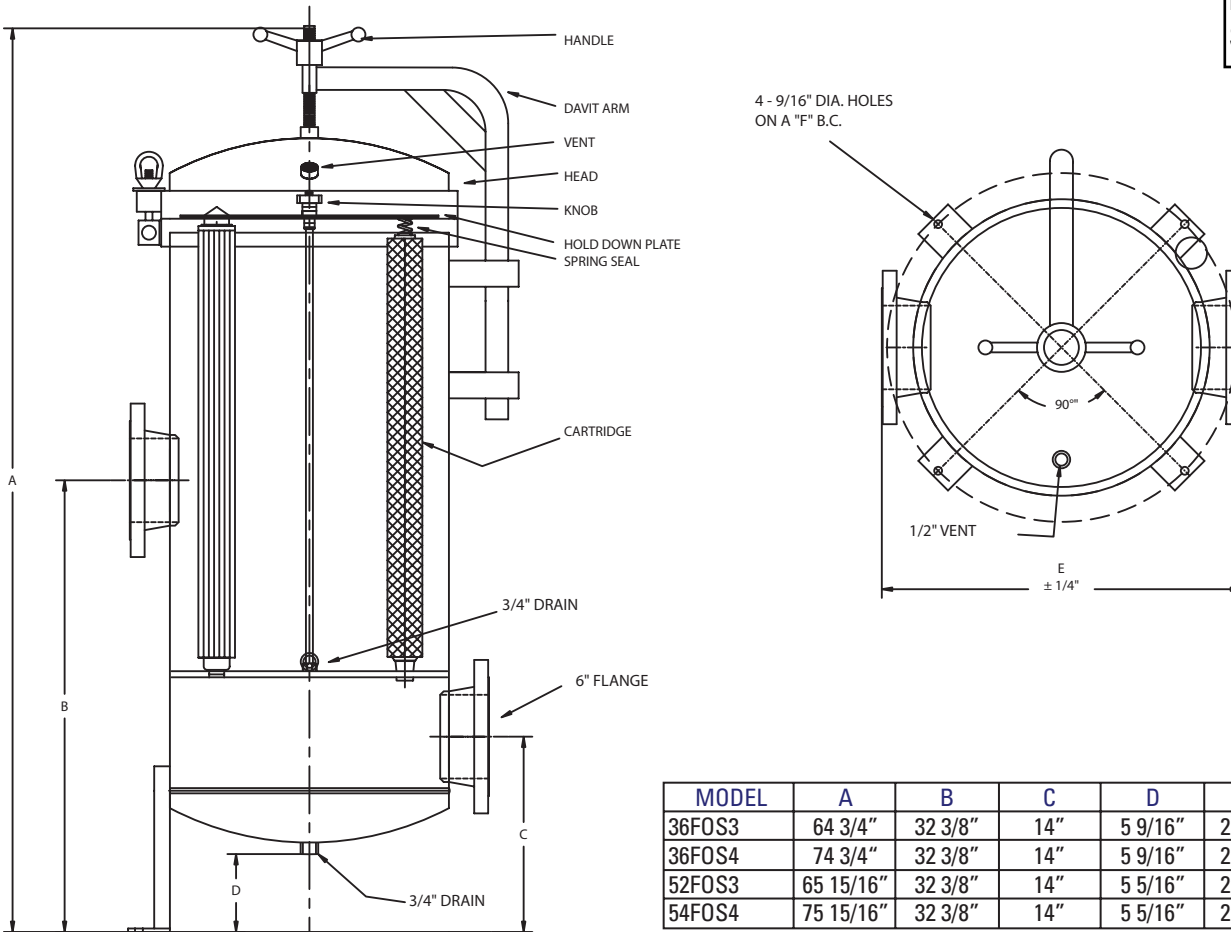
†Housings will accept: 30" = (29 1/4" or 30") 40" = (39" or 40") Lengths

*Flow rates are for guide lines only. Actual flow rates are based on fluid, viscosity, cartridge type, micron ratings and other factors.

•When using 222 or 226 adapters with the 36 FOS series housing you must change it to a 32 FOS (32 Round) max cartridge OD 2 3/4"
When using 222 or 226 adapters with the 52 FOS series housing you must change it to a 50 FOS (50 Round) max cartridge OD 2 3/4"

Dimensions

[Back to Shelco Menu](#)



MODEL	A	B	C	D	E	F
36FOS3	64 3/4"	32 3/8"	14"	5 9/16"	25 7/8"	25"
36FOS4	74 3/4"	32 3/8"	14"	5 9/16"	25 7/8"	25"
52FOS3	65 15/16"	32 3/8"	14"	5 5/16"	29 7/8"	26"
54FOS4	75 15/16"	32 3/8"	14"	5 5/16"	29 7/8"	26"

ORDERING GUIDE

36	FOS	3	SB	316	DOE	6F	EP	GP	E
No. of Columns	Product Code	No. of Stacks	Closure Style	Material	Cartridge Configuration	Connection Type	Finish	Options	Gasket
36 52	FOS	3 = 3 High 4 = 4 High	SB = Swing Bolt	Blank = 304L 316 = 316L	Blank = Double Open Ended •222 = 222 Style Cartridge Fin or Flat •226 = 226 Style Cartridge Fin or Flat	Blank = 6" Flanged OPTIONS 6TC = 6" Ferrules 6GF = 6" Grooved Fittings 8F = 8" Flanged 8GF = 8" Grooved Fittings	Blank = Standard Poly Coat EP = Electro-Polished GB = Glass Bead P = Passivate	Blank = None GP = Gauge ports GPA = Gauge ports with gauges	Blank = Buna E = EPR S = Silicone V = Viton TS = Teflon Encapsulated Silicone



Shelco manufactures a complete Line of elements for your application



Distributed by: John Mulhern Company
800 761-9201 fax 707 578-8692
info@jmulhern.com

SHELCO FILTERS



BF Series

Single Bag Housings: #1, #2, #3 and #4 sizes

Shelco® BF series bag housings are manufactured of 304L or 316L stainless steel and carbon steel. Designed for 150 PSI (10 bar) and for temperatures to 300°F. Protective poly coat over stainless steel is standard finish. Positive hold down spring and adjustable stainless leg assembly are standard features on the #1 and #2 size housings.



Features #1 and #2 size

- Stainless Steel or Carbon Steel construction
- 150 PSI rated design
- Band clamp or swing bolt lid closures
- Stainless steel compression spring included
- Adjustable Stainless Steel leg assembly
- 2" FNPT, side inlet and bottom outlet
- All housings come standard with Buna O-rings
- ¼" NPT gauge ports clean and dirty side
- ¼" NPT vent in head with ½" NPT bottom drain
- 1/8" Perf stainless steel basket

Features #3 and #4 size

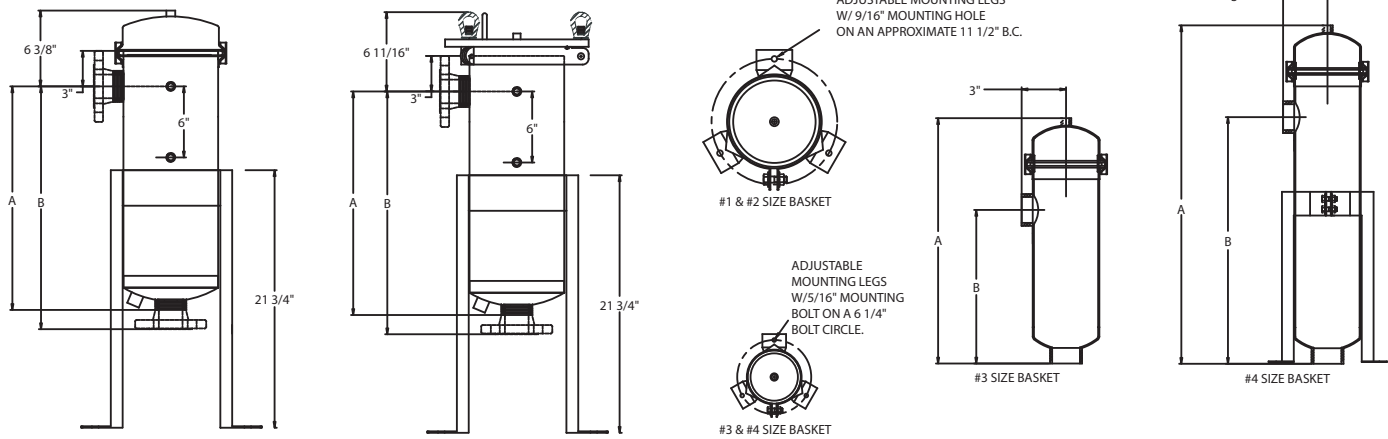
- 316 Stainless Steel construction
- 150 PSI rated design
- Clamp closures
- ¾", 1" or 1 ½" FNPT inlet and outlet
- Side inlet and bottom outlet
- Standard with Buna O-rings
- ¼" NPT vent port in lid
- 1/8" Perf stainless steel basket

Standard Design Specifications

Model	Closure	Bag Size	Flow Rate Gpm*	Std Pipe Size†	Drain	Vent	Shipping Weight Clamp	Box Size Clamp	Shipping Weight SB	Box Size Swing Bolt
BFS-3C	Clamp	#3	30	1.5" FNPT	—	1/4" NPT	10 lbs	7x7x18	—	—
BFS-4C	Clamp	#4	60	1.5" FNPT	—	1/4" NPT	14 lbs	7x7x28	—	—
BFS-1	Clamp or Swing Bolt	#1	100	2" FNPT	1/2" NPT	1/4" NPT	43 lbs	18x18x38	73 lbs	18x18x42
BFS-2	Clamp or Swing Bolt	#2	180	2" FNPT	1/2" NPT	1/4" NPT	53 lbs	18x18x45	83 lbs	18x18x50
BFC-1	Clamp or Swing Bolt	#1	100	2" FNPT	1/2" NPT	1/4" NPT	45 lbs	18x18x38	73 lbs	18x18x42
BFC-2	Clamp or Swing Bolt	#2	180	2" FNPT	1/2" NPT	1/4" NPT	55 lbs	18x18x45	83 lbs	18x18x50

* Flow rates are for guide lines only, actual flow rates are based on fluid, viscosity, Bag type, micron ratings and other factors. It is recommended if your flow rate is greater than 150 gpm that you increase your pipe size to 3" to reduce the pressure drop across the housing.

† Maximum inlet and outlet port size is 3" for the #1 and #2 size housings.



MODEL	DIM. A	DIM. B
#1 SIZE	18 7/8"	20 1/2"
#2 SIZE	34 7/8"	36 1/2"

MODEL	DIM. A	DIM. B
#3 SIZE	16 9/16"	10 3/8"
#4 SIZE	22 7/8"	16 11/16"

ORDERING GUIDE #1 and #2 Sizes

BFS - 2		C	2	316	2	E
Product Code	Size	Closure	Connection	Material Options	Style	Gaskets
BFS = Stainless Steel BFC = Carbon Steel	1 = 7x18 2 = 7x32	C = Clamp SB = Swing Bolt	2 = 2" FNPT 2F = 2" RFF 3 = 3" FNPT 3F = 3" RFF 2TC = 2" TC	Blank = 304 316 = 316 SS 134 = *3M 134 Coating over 304 SS	Blank = Side in, Bottom out 2 = Side in, Side out	Blank = Buna E = EPR S = Silicone V = Viton T = Teflon

*Note: 134 coating must have swing bolt closure and flanged connections.

ORDERING GUIDE #3 and #4 Sizes

BFS - 4		C	1	2	E	
Product Code	Size	Closure	Connection	Material	Style	Gaskets
BFS = Stainless Steel	3 = 4x8 4 = 4x14	C = Clamp	75 = 3/4" FNPT 1 = 1" FNPT 1.5 = 1 1/2" FNPT	Blank = 316 SS	Blank = Side in, Bottom out 2 = Side in, Side out (Hold down spring recommended)	Blank = Buna E = EPR S = Silicone V = Viton T = Teflon

Options

- Coatings: 3M 134 coating for sea water and corrosive applications
- 10 mesh wire baskets or special mesh lined baskets
- Special porting arrangements (side in/side out)
- Specialty baskets to hold bulk carbon or resin
- Wide variety of connections; flanged, BSP, and sanitary ferrules
- Electro-polishing available
- Adjustable stainless legs and compression spring are available for the #3 and #4 size housings.



Complete line of bag filter media



Stainless steel basket, spring and leg assembly



Distributed by: John Mulhern Company
800 761-9201 fax 707 578-8692
info@jmulhern.com

SHELCO FILTERS



BFS Series

Multi-Cavity Bag Housings 2 thru 6 round

Shelco’s new BFS multi-cavity bag housings are manufactured from 304L or 316L stainless steel with many standard features. The 2BFS clamp style housing is fast becoming a market leader with its quick clamp closer and exceptional value. The heavy duty design of the swing bolt closure and davit assembly make it a perfect choice for your larger flow applications. Protective poly coat over stainless steel is the standard finish. We offer the multi series housings in a 2, 3, 4, 5 and 6 round design.

Features 2 thru 6 BFS Swing Bolt

- Heavy duty swing bolt closure with lifting davit
- 150 PSI rated and up to 300°F
- 3" to 6" flanged (see Ordering Guide)
- ¼" Gauge Ports
- ¾" Drain
- ½" Vent
- 304L or 316L stainless steel construction
- FDA Buna O-ring
- Stainless steel legs
- Basket hold down device
- Low profile for easy change out
- Eye nuts and davit handles are plated to prevent gauling
- Davit arm is painted steel

Features 2BFS Clamp

- Easy open clamp closure
- 150 PSI rated and up to 250°F
- 3" Flanged
- ¼" Gauge ports
- ½" Vent and Drain
- 304L or 316L stainless steel construction
- FDA Buna O-ring
- Stainless steel legs
- Basket hold down device

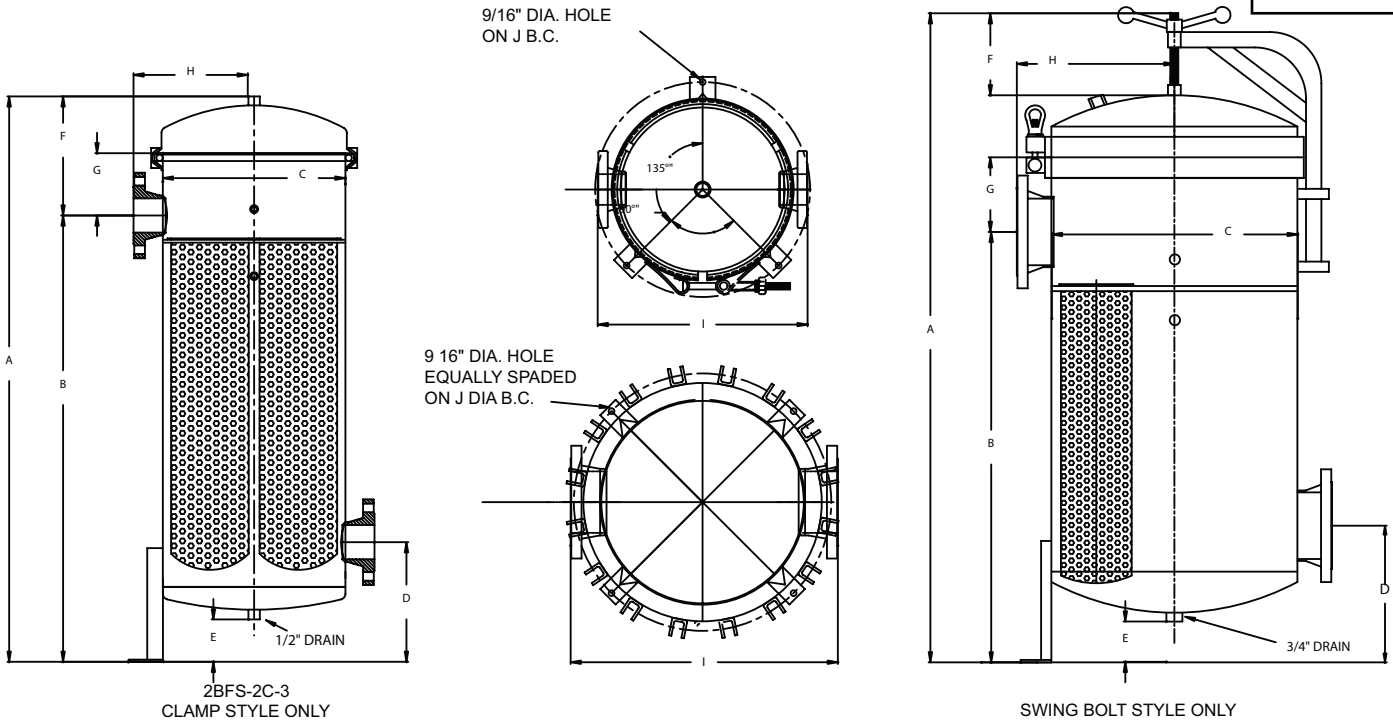
Options

- Specialty wire meshed baskets
- 134 coating for sea water and corrosive applications
- Wide variety of connections
- Electro-polishing available

Standard Design Specifications

Model	Closure	(QTY) / Bag Size	Flow Rate Gpm*	Std Pipe Size Flanged	Drain	Vent	Gauge Ports	Shipping Weight lbs	Shipping Size
2BFS-2C	Clamp	(2) / #2	350	3"F	1/2" NPT	1/2" NPT	1/4" NPT	180 lbs	Skid
2BFS-2SB	Swing Bolt	(2) / #2	350	3"F	3/4" NPT	1/2" NPT	1/4" NPT	230 lbs	Skid
3BFS-2SB	Swing Bolt	(3) / #2	525	4"F	3/4" NPT	1/2" NPT	1/4" NPT	290 lbs	Skid
4BFS-2SB	Swing Bolt	(4) / #2	700	4"F	3/4" NPT	1/2" NPT	1/4" NPT	375 lbs	Skid
5BFS-2SB	Swing Bolt	(5) / #2	875	4"F	3/4" NPT	1/2" NPT	1/4" NPT	580 lbs	Skid
6BFS-2SB	Swing Bolt	(6) / #2	1050	6"F	3/4" NPT	1/2" NPT	1/4" NPT	650 lbs	Skid

* Flow rates are for guide lines only. actual flow rates are based on fluid, viscosity, Bag type, micron ratings and other factors.



MODEL	A	B	C	D	E	F	G	H	I	J
2BFS-2C-3	49 9/16"	39 1/8"	16"	10 1/2"	4 1/8"	11 5/8"	13 5/8"	10 9/16"	20 1/2"	20 15/16"
2BFS-2SB	49 9/16"	39 1/8"	16"	10 1/2"	3 11/16"	10"	6 7/8"	10 9/16"	20 1/2"	20 15/16"
3BFS-2SB	52 7/8"	41 1/16"	18"	10 3/4"	3 1/4"	10"	6 1/4"	12 5/16"	22 5/8"	22 15/16"
4BFS-2SB	61 1/4"	40 1/2"	20"	11 1/4"	3 1/4"	10"	8"	12 7/8"	26 1/16"	25"
5BFS-2SB	63 1/2"	42"	24"	13 3/8"	4"	10"	7 1/4"	15 3/8"	30"	29"
6BFS-2SB	63 1/2"	42"	24"	13 3/8"	4"	10"	7 1/4"	15 3/8"	30"	29"

ORDERING GUIDE - Clamp Closure

2	BFS	- 2	C	- 3	- 316	E
# of Bags	Model	Bag Size	Closure	Std. Flanged Connections	Material	Gasket
2	BFS	2	C = Clamp	3 = 3"	Blank = 304 SS 316 = 316 SS	Blank = Buna E = EPR S = Silicone V = Viton T = Telfon Encapluated Silicone

ORDERING GUIDE - Swing Bolt Closure

4	BFS	- 2	SB	- 4	- 316	E
# of Bags	Model	Bag Size	Closure	Std. Flanged Connections	Material	Gasket
2	BFS	2	SB = Swing Bolt	3 = 3"	Blank = 304 SS	Blank = Buna
3				4 = 4"	316 = 316 SS	E = EPR
4				4 = 4"	134 = 3M 134 Coating over 304 SS	S = Silicone
5				4 = 4"		V = Viton
6				6 = 6"		T = Telfon Encapluated Silicone

Example: 4BFS-2SB-4-316E



Distributed by: John Mulhern Company
800 761-9201 fax 707 578-8692
info@jmulhern.com

SHELCO FILTERS



Complete Line of Replacement Filter Bags



Hold down device for each basket insuring a positive seal.



MicroSentry™ **HTF FILTER BAGS**

Shelco® MicroSentry™ HTF filter bags are manufactured in a variety of styles and materials. Made of the highest quality media, the HTF Series will give you the highest particle retention, largest solids-loading capacity and widest range of options. These bags are the ideal choice for your specific filtration requirement. With standard sizes to fit most housings, these bags are the perfect choice when quality is important. The HTF filter bags are available in microns ratings from 1 to 1500.

Features

- Standard MicroSentry™ HTF bags fit most major manufacturer's housings
- Available in felt media for high solids retention, monofilament mesh for precise pore sizes and reusable applications, and multifilament mesh for low cost, disposable applications
- The HTF bags are available with steel, stainless steel and plastic rings or a plastic flange with integral handles for positive sealing
- When coupled with the Shelco® MicroGuardian™ Bag Housing these bags offer the highest efficiencies available
- Media's include Polypropylene, Polyester, Nylon, Nomex for high temperatures, and Teflon for the widest range of compatibility in the industry
- Bags are produced with a glazed finish to reduce media migration
- Available with heavy duty fiber handles for easy removal
- Sizes include #1, #2, #3, and #4 size bags

Applications

- | | | |
|---------------|-----------------|-----------------|
| • Paint | • Lubricants | • Resins |
| • Beverages | • Inks | • Adhesives |
| • Coatings | • Parts Washers | • Prefiltration |
| • Waste Water | • Chemicals | • Ground Water |

Felt Bags – Filtration felt is a low cost disposable media with particle retention from 1 to 200 microns. It has depth filtration qualities and high solids loading capacity. Felt bags are available in Polyester, and Polypropylene. The felts are glazed or singed to minimize media migration.

Monofilament – Monofilament mesh is an extremely strong material with precise weaving to ensure consistent pore sizes. It is reusable in many applications. Nylon, Polyester and Polypropylene media are available, with micron ratings from 1-1200 microns.

Multifilament – Multifilament mesh is a low cost media with micron ratings from 100-1500 microns. It can be used in applications where the extra strength of a monofilament is not needed. Multifilament mesh is available in Nylon and Polyester.

ORDERING GUIDE

B	E	G	-	50	2	SS	H
PRODUCT CODE	MEDIA	FINISH		MICRON	SIZE	RING	OPTIONS
B – Bag	E – Polyester P – Polypropylene NMO – Nylon Monofilament EMO – Polyester Monofilament PMO – Polypropylene Monofilament NMU – Nylon Multifilament EMU – Polyester Multifilament OA – Oil Absorbent HP – High Efficiency	P – Plain G – Glazed		1 300 3 400 5 600 10 800 25 1200 50 1500 75 100 150 200 250	1 2 3 4	S – Steel Ring SS – Stainless Steel Ring P – Polypropylene Ring PF – Polypropylene Flange DS – Draw String	H – Handle

Multifilament bags are available in 100 microns and above only. For High Efficiency Bags Only Add – A for 98%; B for 95%; C for 90% after the Micron Code. Example: BHPG-5A-2SSH

Filter Housings

Shelco® manufactures a full line of filter housings. From our rugged single element housings to our heavy-duty multi-rounds and bag housings, we have the right filter for your requirement. Shelco® is the perfect choice for your problem solutions.



#3 and #4 size housings



#1 and #2 size housings



Multi Round bag housings
2 thru 6 round



134 Coating for sea water and corrosive environments



Distributed by: John Mulhern Company
800 761-9201 fax 707 578-8692
info@jmulhern.com

SHELCO FILTERS



SJCH SERIES **Single Jumbo Cartridge Housings**

Jumbo cartridge filter housings are designed to accept a single cartridge for easy installation and replacement. Options include 304L or 316L stainless steel; band clamp or swing bolt closures. Design pressure 150 psi (10 bar) @ 300° F (149° C). Standard inlet and outlet connections are 2" MNPT, with pressure gauges body mounted for easy viewing of differential pressure. Standard finish is Poly-coat over stainless. All Jumbo models are standard with mounting legs and grounding lug. Standard gasket is FDA grade Buna-N. Electro-polishing and other options are available by special order.

Features

- Designed for industrial and commercial filtration needs
- Heavy duty stainless steel construction for durability
- 304L standard and 316L stainless steel available
- Band clamp or swing-bolt closures for quick cartridge change outs
- Mounting legs standard
- Superior sealing provided by adjustable compression cap
- Pressure gauges installed
- Three Sizes available with flows up to 150 gpm
- 20 micron and above elements can be cleaned and reused
- See ordering guide for a complete selection of options to fit your application



Complete line of Cartridges
see bulletin SJC-500-1



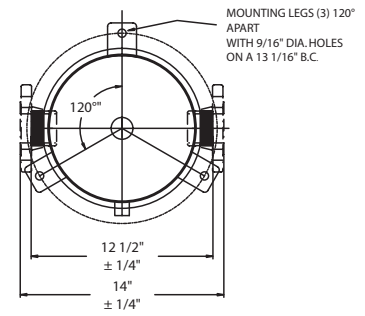
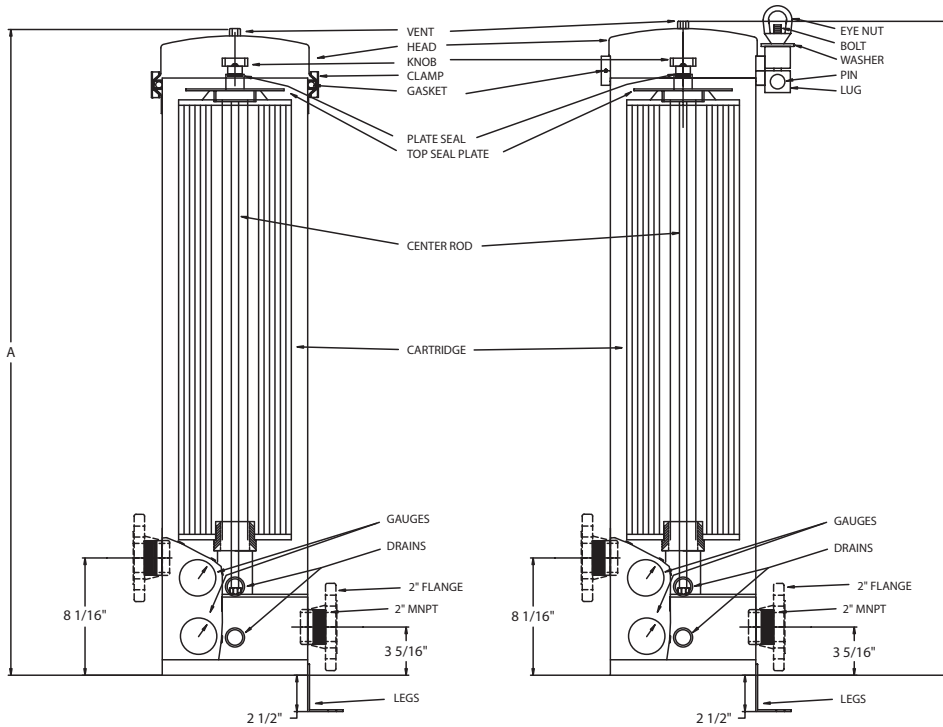
Adjustable Compression Cap

Standard Design Specifications

Model	No. & (length) Of Cartridges	Max Flow GPM*	Pipe Size	Drains	Vent	Ctg Diameter	Shipping Weight	Clamp	Box Size Clamp	Shipping Weight SB	Box Size Swing Bolt
SJCH-40	1 (9 5/8")	50	2" MNPT	1/2" NPT	1/4" NPT	7 3/4" OD	40 lbs		18x18x25	71 lbs	18x18x29
SJCH-90	1 (19 1/2")	100	2" MNPT	1/2" NPT	1/4" NPT	7 3/4" OD	51 lbs		18x18x35	82 lbs	18x18x39
SJCH-170	1 (30 3/4")	150	2" MNPT	1/2" NPT	1/4" NPT	7 3/4" OD	60 lbs		18x18x45	91 lbs	18x18x49

Flow rates are for guide lines only, actual flow rates are based on fluid, viscosity, cartridge type, micron ratings and other factors.

*For complete Flow and Pressure drop information please see bulletin SJC-500-1 = SJC Cartridges



MODEL	CLAMP STYLE	SWING BOLT STYLE
	DIM. A	DIM. A
SJCH-40	27"	27 1/2"
SJCH-90	37"	37 1/2"
SJCH-170	47"	47 1/2"

ORDERING GUIDE

SJCH - 170 C - 316 - 2F - EP - OL - E							
Product Code	Cartridge Series	Closure Style	Material	Connection Type	Finish	Options	Gasket
SJCH	40 = 40 Series 90 = 90 Series 170 = 170 Series	C = V Band Clamp SB = Swing Bolt	Blank = 304L 316 = 316L	Blank = 2" MNPT 1.5MNPT = 1 1/2" MNPT BSP = 2" BSP - Nipple 1F = 1" Flange 1.5F = 1 1/2" Flange 2F = 2" Flange 1TC = 1" Ferrules 1.5TC = 1 1/2" Ferrules 2TC = 2" Ferrules 2.5TC = 2 1/2" Ferrules GF1.5 = 1 1/2" Grooved Fittings GF2 = 2" Grooved Fittings 2FMPT = 2" Coupling	Blank = Standard Poly Coat EP = Electro-Polished GB = Glass Bead P = Passivate	Blank = ML mounting legs with grounding lug and body mount gauge ports with gauges OL= Heavy Duty Mounting Legs with grounding lug and body mount gauge ports with gauges	Blank = Buna E = EPR S = Silicone V = Viton TS = Teflon Encapsulated Silicone



Flanged Fittings



Swing Bolt Closure



Sanitary Fittings



Electropolish



Distributed by: John Mulhern Company
800 761-9201 fax 707 578-8692
info@jmulhern.com

SHELCO FILTERS



VPH SERIES

High Purity Polypropylene Housings

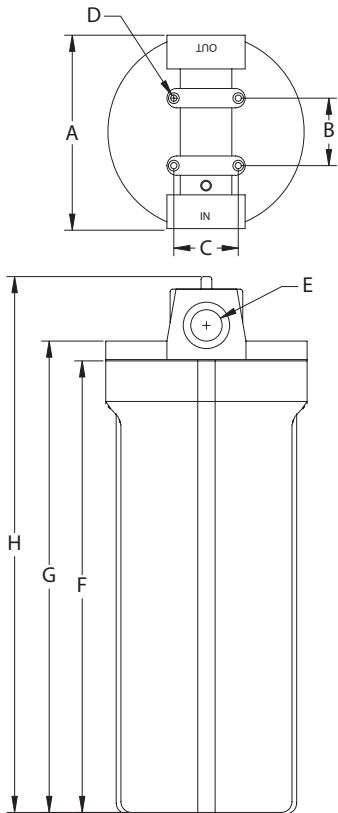
Shelco's High Purity line of single and double length cartridge filter housings are available in 100% Natural Polypropylene. For the most stringent applications this series offers you the best alternative to Stainless steel vessels in the market. Available in either DOE or 222 configurations the VPH Series offers an ultra smooth contact surface for the most sensitive fluids. Shelco's VPH Series is the perfect choice when purity and economy are essential.

Features

- Rugged, corrosive-resistant all natural plastic housings for long trouble free life
- Available in either DOE style or 222 Style configurations
- All housings come equipped for a mounting bracket (see kit selection)
- VPH Housings meet FDA requirements for potable water and food and beverage applications
- Housings are available in single and double lengths with 3/4" NPT connections
- These housings are good to a maximum water temperature of 125° F and maximum pressure of 125 psi
- All housing come with Viton O-ring standard. EPDM is available as a spare part

ORDERING GUIDE

Model #	Description	Bracket Kit
VPH-10-DOE	Natural Poly Sump and Head, Holds one double open end 9 7/8" long cartridge, 3/4" NPT connections with viton O-ring.	BK 1
VPH-12-222	Natural Poly Sump and Head, Holds one 10" single open end 222/Fin or Flat style cartridge, 3/4" NPT connections with viton O-ring.	BK 2
VPH-20-DOE	Natural Poly Sump and Head, Holds one double open end 20" long cartridge, 3/4" NPT connections with viton O-ring.	BK 2
VPH-20-222	Natural Poly Sump and Head, Holds one 20" single open end 222/Flat only style cartridge, 3/4" NPT connections with viton O-ring.	BK 2

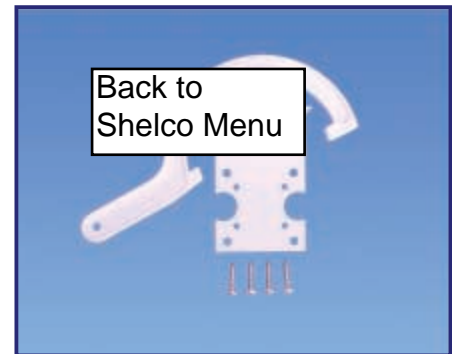


MODEL	A	B	C	D	E	F	G	H
VPH-10-DOE	4.72"	1.57"	1.18"	1.18"	3/4"	10.5"	11.0"	11.8"
VPH-12-222	5.35"	2.22"	2.28"	0.23"	3/4"	12.00"	12.98"	14.0"
VPH-20-DOE	5.35"	2.22"	2.28"	0.23"	3/4"	20.47"	21.26"	22.80"
VPH-20-222	5.35"	2.22"	2.28"	0.23"	3/4"	20.47"	21.26"	22.80"

Bracket Kits



Bracket Kit #1



Bracket Kit #2

Both bracket kits include: bracket, sump wrench and screws, as shown above.



Shelco Filters manufactures a complete line of high efficiency and absolute rated cartridges to complement the VPH housing series and meet your most critical applications.



Distributed by: John Mulhern Company
800 761-9201 fax 707 578-8692
info@jmulhern.com

SHELCO FILTERS



SPH SERIES

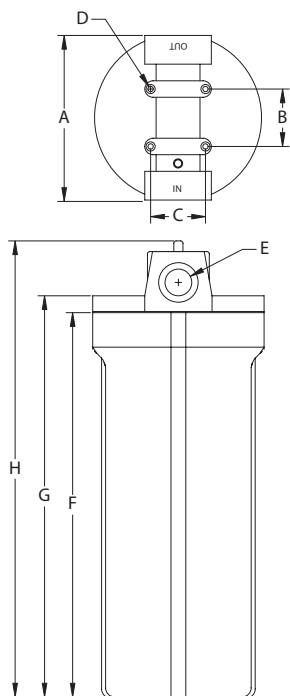
Non-Metallic Plastic Housings

These durable housings are made of high quality FDA materials designed to stand up to the toughest corrosives as well as the most sensitive fluids. These filter housings have been designed to meet a burst test of 500 psi and a cycle test of 150,000 cycles from 0 to 125 psi. The standard O-rings are EPDM. All SPH housings are designed to take standard DOE style cartridges. The SPH housing is the perfect fit when quality and economy are essential.

Features

- Heavy-duty construction, made using high quality FDA grade polypropylene.
- These housings are good to a maximum water temperature of 125° F (52°C) and maximum pressure of 125 psi (8.75 bar) The minimum temperature is 40°F (4°C)
- High Temperature housings made of reinforced nylon and are good to 200° F (93°C)
- Clear sumps are made of Styrene-Acrylonitrile, Opaque sumps are made of Polypropylene
- All housing come with EPDM Gaskets standard. Viton is available as a spare part

Dimensions



Model #	A	B	C	D	E	F	G	H
SPHWW5	4.28"	1.57"	1.18"	0.16"	1/2"	5.7"	7.0"	7.5"
SPHWC5	4.28"	1.57"	1.18"	0.16"	1/2"	5.7"	7.0"	7.5"
SPHKB-10-34	4.72"	1.57"	1.18"	1.18"	3/4"	10.5"	11.0"	11.8"
SPHKB-20-12	4.72"	1.57"	1.18"	1.18"	1/2"	20.47"	21.26"	22.80"
SPHKB-10-34C	5.35"	2.22"	2.28"	0.23"	3/4"	10.43"	11.49"	12.5"
SPHKB-20-34C	5.35"	2.22"	2.28"	0.23"	3/4"	20.47"	21.26"	22.80"
SPHKB-10-34C	5.35"	2.22"	2.28"	0.23"	3/4"	10.43"	11.49"	12.5"
SPHKB-20-34C-PR	5.35"	2.22"	2.28"	0.23"	3/4"	20.47"	21.26"	22.80"
SPHKB-10-1BB	7.28"	3.03"	3.03"	0.275"	1"	11.33"	11.57"	14.0"
SPHKB-10-15BB	7.28"	3.03"	3.03"	0.275"	1 1/2"	11.33"	11.57"	14.0"
SPHKB-20-1BB	7.28"	3.03"	3.03"	0.275"	1"	21.25"	21.65"	24.0"
SPHKB-20-15BB	7.28"	3.03"	3.03"	0.275"	1 1/2"	21.25"	21.65"	24.0"
SPHRR-10-34HT	5.35"	2.22"	2.28"	0.23"	3/4"	10.43"	11.49"	12.5"
SPHRR-20-34HT	5.35"	2.22"	2.28"	0.23"	3/4"	20.47"	21.26"	22.80"

5" Standard (Residential)

Model #	Head	Sump	Cartridge Length	Pipe Size	Style	PR	Bracket Kit
SPHWW-5-12	White	White	4 7/8"	1/2"	—	No	BK1
SPHWC-5-12	White	Clear	4 7/8"	1/2"	—	No	BK1

10" & 20" Standard (Residential)

Model #	Head	Sump	Cartridge Length	Pipe Size	Style	PR	Bracket Kit
SPHKB-10-34	Black	Blue	9 7/8"	3/4"	—	No	BK1
SPHKB-20-12	Black	Blue	20"	1/2"	—	No	BK1

10" & 20" Heavy Duty (Commercial)

Model #	Head	Sump	Cartridge Length	Pipe Size	Style	PR	Bracket Kit
SPHKB-10-34C	Black	Blue	9 7/8"	3/4"	C	No	BK2
SPHKB-20-34C	Black	Blue	20"	3/4"	C	No	BK2
SPHKC-10-34C	Black	Clear	9 7/8"	3/4"	C	No	BK2
SPHKC-20-34C-PR	Black	Clear	20"	3/4"	C	Yes	BK2

10" & 20" BB Style Housings

Model #	Head	Sump	Cartridge Length	Pipe Size	Style	PR	Bracket Kit
SPHKB-10-1BB	Black	Blue	9 3/4"	1"	BB	No	BK3
SPHKB-10-15BB	Black	Blue	9 3/4"	1 1/2"	BB	No	BK3
SPHKB-20-1BB	Black	Blue	20"	1"	BB	No	BK3
SPHKB-20-15BB	Black	Blue	20"	1 1/2"	BB	No	BK3

10" Valve In Head

Model #	Head	Sump	Cartridge Length	Pipe Size	Style	PR	Bracket Kit
SPHWW-10-34VH	White	White	9 7/8"	3/4"	VH	No	—
SPHWC-10-34VH	White	Clear	9 7/8"	3/4"	VH	No	—

10" & 20" High Temp Housings (200° F / 93° C)

Model #	Head	Sump	Cartridge Length	Pipe Size	Style	PR	Bracket Kit
SPHRR-10-34HT	Red	Red	9 7/8"	3/4"	HT	No	BK2
SPHRR-20-34HT	Red	Red	20"	3/4"	HT	No	BK2

Bracket Kits Include:
Bracket, sump wrench
and screws. (as shown)



Bracket Kits



Distributed by: John Mulhern Company
800 761-9201 fax 707 578-8692
info@jmulhern.com

SHELCO FILTERS



MicroSentry™

MH SERIES

99.98 Efficiency

Pleated Filter Elements

With the most complete line of pleated filter cartridges Shelco® offers the most economical high efficiency pleated elements available. For your most critical throughput, the MH Series is the best solution to your filtration problems. The cartridge is made of pleated Polypropylene media and has verified efficiencies of 99.98% at the rated micron. With more than 5½ square feet of media this cartridge will last longer and has a higher dirt holding capacity than any other cartridge available. With standard lengths to fit most housings, these cartridges are the perfect choice when economy and efficiency are critical.

Features

- Micron ratings from 0.2 to 50 microns
- Micron removal efficiency ratings at 99.98%
- Meets requirements of the FDA for food and beverage applications
- More surface area, more pleats, and more media offer higher dirt holding capacities
- Polypropylene construction offers a wide range of chemical compatibility
- Fixed pore construction allows for higher dirt holding capacity without unloading as the differential pressure increases
- 5.5 Square feet of media

FDA Compliance

Shelco® MicroSentry™ High Efficiency Cartridges are manufactured of pure polypropylene materials with no additives or other manufacturing agents. Shelco® certifies that all materials used in the production of these cartridges meet the requirements of FDA Title 21 of The Code of Federal Regulations 147.5 and 177.1520.

Applications

- RO Prefilters
- Food & Beverage
- Potable Water
- Solvents
- Cosmetics
- Electronics
- Waste Water
- Ultra pure water
- Photographic & Chemical solutions
- DI Water Pre-Filtration

Product Specifications

[Back to Shelco Menu](#)

Microns Ratings

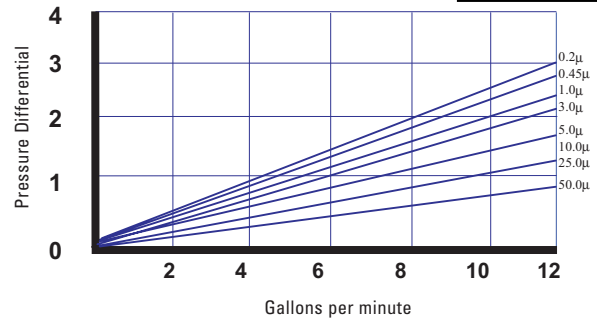
0.2, 0.45, 1.0, 3.0, 5.0, 10.0, 25.0, 50.0

Nominal Lengths

9 3/4", 10", 20", 30", 40"

Materials of Construction

Filter Media: Polypropylene
 Inner Core: Polypropylene
 Cage: Polypropylene
 Gaskets/O-Rings: Buna-N, EPDM, Silicone, Viton, Teflon Encapsulated Silicone
 Please consult with a Shelco Technician for proper compatibility



Micron ratings and beta ratio value levels were determined through laboratory testing. Testing was conducted using the multi-pass test method, water @ 2.5gpm/10" cartridge. Contaminants included latex beads, coarse and fine test dust. Removal efficiencies were determined using dual laser source particle counters.

Operating Conditions

Max Temp 160° F (71° C)
 Recommended change out: 25 PSID

ORDERING GUIDE

MHP	0.2	-	10	S1	E
PRODUCT CODE	MICRON		LENGTH	END CAP CONFIGURATION	GASKET/O-RING
MHP - Polypropylene	0.2		975	S1 = DOE w/Flat Gaskets	B = Buna-N
	0.45		10	S3 = 222 w/Fin End	E = Ethylene Propylene
	1.0		20	S4 = 222 w/Flat End	S = Silicone
	3.0		30	S5 = 226 w/Fin End	V = Viton
	5.0		40	S6 = 226 w/Flat End	T = Teflon Encapsulated Silicone
	10.0				
	25.0				
	50.0				

Part Number Example: MHP0.2-10S2E

Filter Housings

Shelco® manufactures a full line of filter housings. From our rugged single element housings to our heavy-duty multi-rounds and bag housings, we have the right filter for your requirement. Shelco® is the perfect choice for your problem solutions.



Single Cartridge Housings



Multi Cartridge Housings



High Flow Multi Cartridge Housings



Bag Filters



Jumbo Cartridge Housings



Distributed by: John Mulhern Company
 800 761-9201 fax 707 578-8692
 info@jmulhern.com

SHELCO FILTERS
 100 Bradley Street . Middletown, CT 06457 . USA



MicroSentry™

MP SERIES

90% Efficiency

Pleated Filter Elements

With the most complete line of pleated filter cartridges Shelco® offers the most economical high efficiency pleated elements available. For your most critical throughput, the MP Series is the best solution to your filtration problems. The cartridge is made of pleated Polypropylene media and has verified efficiencies of 90% at the rated micron. With more than 5½ square feet of media this cartridge will last longer and has a higher dirt holding capacity than any other cartridge available. With standard lengths to fit most housings, these cartridges are the perfect choice when economy and efficiency are critical.

Features

- Micron ratings from 0.5 to 50 microns
- Micron removal efficiency ratings at 90%
- All Polypropylene construction
- More surface area, more pleats, and more media offer higher dirt holding capacities
- Polypropylene fiber construction offers a wide range of chemical compatibility
- Fixed pore construction allows for higher dirt holding capacity without unloading as the differential pressure increases

FDA Compliance

Shelco® MicroSentry™ MP Cartridges are manufactured of materials with no additives or other manufacturing agents. All materials used in the production of these cartridges meet the requirements of FDA Title 21 of The Code of Federal Regulations 147.5 and 177.1520.

Applications

- RO Prefilters
- Food & Beverage
- Potable Water
- Chemicals
- Electronics
- Waste Water
- Cosmetics
- High Purity water
- Photographic & Chemical solutions

Product Specifications

Back to
Shelco Menu

Microns Ratings

0.5, 1.0, 5.0, 10.0, 25.0, 50.0

Nominal Lengths

9 3/4", 10", 20", 30", 40"

Materials of Construction

Filter Media: Polypropylene

Inner Core: Polypropylene

Cage: Polypropylene

Gaskets/O-Rings: Buna-N, EPDM, Silicone, Viton,

Teflon Encapsulated Silicone

Please consult with a Shelco Technician for proper compatibility

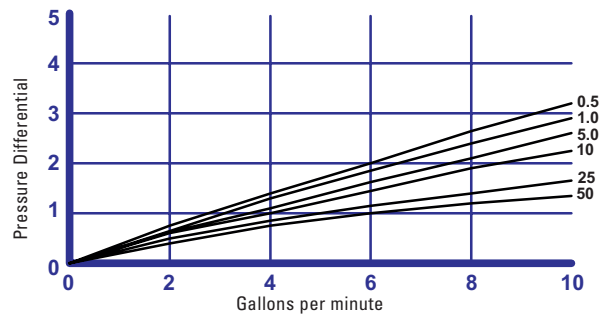
FILTER EFFICIENCY LEVELS

Beta Ratio Efficiency	Beta 100	Beta 50	Beta 10	Beta 5
Polypropylene	99%	95%	90%	80%
0.5 micron	3.3	0.7	0.5	0.25
1.0 micron	6.4	3.0	1.0	0.50
5.0 micron	15.0	7.0	5.0	3.0
10.0 micron	32.0	14.0	10.0	7.0
25.0 micron	60.0	35.0	25.0	20.0
50.0 micron	110.0	71.0	50.0	35.0

Operating Conditions

Max Temp 160° F (71° C)

Recommended change out: 25 PSID



Micron ratings and beta ratio value levels were determined through laboratory testing. Testing was conducted using the multi-pass test method, water @ 2.5gpm/10" cartridge. Contaminants included latex beads, coarse and fine test dust. Removal efficiencies were determined using dual laser source particle counters.

ORDERING GUIDE

MPP	0.5	-	10	S1	E
PRODUCT CODE	MICRON		LENGTH	END CAP CONFIGURATION	GASKET/O-RING
MPP - Polypropylene	.05 1.0 5.0 10.0 25.0 50.0		975 10 20 30 40	S1 = DOE w/Flat Gaskets S3 = 222 w/Fin End S4 = 222 w/Flat End S5 = 226 w/Fin End S6 = 226 w/Flat End	B = Buna-N E = Ethylene Propylene S = Silicone V = Viton T = Teflon Encapsulated Silicone

Part Number Example: MPP1.0-10S3E

Filter Housings

Shelco® manufactures a full line of filter housings. From our rugged single element housings to our heavy-duty multi-rounds and bag housings, we have the right filter for your requirement. Shelco® is the perfect choice for your problem solutions.



Single Cartridge Housings



Multi Cartridge Housings



High Flow
Multi Cartridge Housings



Bag Filters



Jumbo Cartridge Housings



Distributed by: John Mulhern Company
800 761-9201 fax 707 578-8692
info@jmulhern.com

SHELCO FILTERS



MicroSentry™

ME SERIES

Nominal Rated Pleated Cartridges

Shelco® introduces its full line of nominal rated pleated filter cartridges. With more square feet of filtering media, this cartridge offers more dirt holding capacity and longer changeout intervals than any other cartridge on the market. Made of economical polyester / polypropylene blended media, these cartridges are the best alternative to string wounds, resin boned, or spun cartridges. The MicroSentry™ MEE pleated cartridges are made of 100% synthetic fibers to eliminate any contamination from binders or additives. Make Shelco's ME series your choice for longer life and lower filtration costs.

Features

- More square footage of media provides a lower initial pressure drop
- Our ME Series is manufactured with no resin binders that can break down and contaminate the throughput
- Layers of media are laminated together to provide depth filtration
- The MEE is made of 100% synthetic fibers with no surfactants that cause foaming
- Pleated media offers more consistent flow patterns for higher micron efficiencies
- Fixed pore construction allows for higher dirt holding capacity without unloading as the differential pressure increases
- Available in 0.35, 1A, 1, 5, 10, 20, and 50 microns nominal and lengths up to 40"
- Available in both standard 2 ½" and 4 ½" (BB Style) configurations
- Cartridges rated for 10 Microns and above are washable and reusable significantly reducing filtration costs

FDA Compliance

Shelco® MicroSentry™ MEE Cartridges are manufactured of materials with no additives or other manufacturing agents. Shelco® certifies that all materials used in the production of these cartridges meet the requirements of FDA Title 21 of The Code of Federal Regulations.

Applications

- Water Purification
- Food & Beverage
- Bottled Water
- Plating Solutions
- Electronics
- Wastewater
- Photographic & Chemical solutions
- Commercial & Residential applications

Materials of Construction

Filter Media – Polyester / Polypro Blend
 Filter Core – Polypropylene
 End Caps – Plastisol

Nominal Micron Ratings

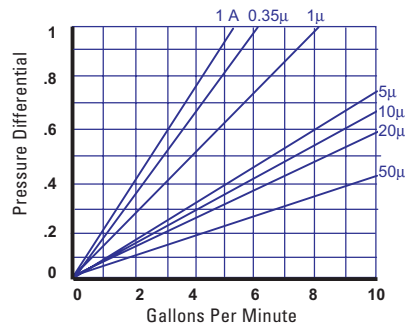
0.35, 1A, 1, 5, 10, 20, 50

Nominal Lengths

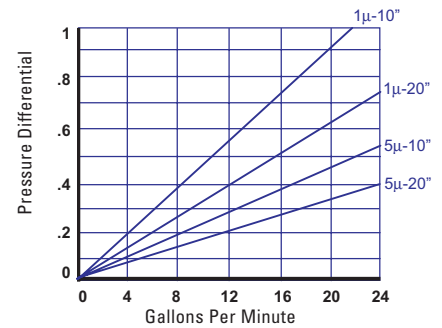
10", 20", 30", 40"

Operating Conditions

140° F (60° C) Max Temperature
 Recommended change out 20/25 PSID



Standard Cartridge



Full-Flow (BB) Cartridge

ORDERING GUIDE

ME	E	5	-	975	BB
PRODUCT CODE	MEDIA	MICRON		LENGTH	O.D.
ME	E – Polyester/Poly Blend	0.35		975 – 9 3/4"	Blank – 2 5/8"
		1A		10	BB – 4 1/2"
		1		195 – 19 1/2"	
		5		20	
		10		294 – 29 1/4"	
		20		30	
		50		40	

Part Number Example: MEE10-975BB

Filter Housings

Shelco® manufactures a full line of filter housings. From our rugged single element housings to our heavy-duty multi-rounds and bag housings, we have the right filter for your requirement. Shelco® is the perfect choice for your problem solutions.



Single Cartridge Housings



Multi Cartridge Housings



High Flow
Multi Cartridge Housings



Bag Filters



Jumbo Cartridge Housings



Distributed by: John Mulhern Company
 800 761-9201 fax 707 578-8692
 info@jmulhern.com

SHELCO FILTERS



MicroSentry™ MS Series

Wound Filter Cartridges

Shelco Filters has created the MicroSentry wound cartridge, setting a higher standard for industries requiring cartridge filtration. Our equipment makes achieving precision patterns a matter of standard procedure. Our state of the art computerized production machinery takes the variables out of custom winding and enables us to produce filter cartridges that are accurately wound from a single strand of specially selected fibrous roving material, wound around a perforated core in a nearly perfect geometric pattern.

MicroSentry wound cartridges can be produced from a wide range of materials. With a range of 0.5-150 microns filtration, depending on your requirement for removal of solids from liquids, compressed air or gases. The MicroSentry Cartridges are independently tested to have the highest efficiencies in the industry.

Applications

Oils
Photo Solutions
Food and Beverage
Chemicals

Air and Gas
Magnetic Coatings
Solvents
Paint/Ink

Petro Chemical
Process Water
Pre-Filtration
Waste Water

Material Selection Guide

Filter Medium	FDA Cotton	Cotton	FDA Polypropylene	Industrial Polypropylene	Rayon	Polyester	Glass Fiber	Nylon
Compatibility with:								
Potable Liquids, Water	4	0	4	0	3	3	1	1
Organic Solvents	4	4	3	3	4	4	4	4
Oils	4	4	2	2	4	3	4	4
Organic Acids	3	3	4	4	3	3	4	2
Alkalies	3	3	4	4	3	0	1	4
Oxidizing Agents	2	2	1	1	2	3	4	2
Strong Inorganic Acids	0	0	4	4	1	2	4	0
Dilute Inorganic Acids	2	2	4	4	2	3	4	1

0=Not Recommended, 1=Poor, 2=Fair, 3=Good, 4=Excellent

Product Specifications

Back to Shelco Menu

Maximum Temperature Ratings

Cartridge Material	Polypropylene Core	Metal Core
Cotton	140°F (60°C)	250°F (121°C)
Glass	140°F (60°C)	750°F (402°C)
Nylon	140°F (60°C)	275°F (135°C)
Polypropylene	140°F (60°C)	180°F (82°C)
Polyester	140°F (60°C)	275°F (135°C)
Rayon	140°F (60°C)	275°F (135°C)

Operating Conditions

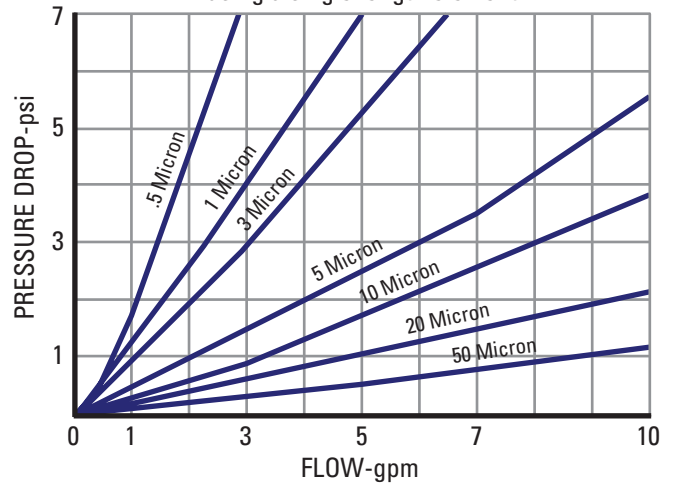
Recommended Change out: 25 PSID

Maximum DP at ambient temperature: 60 PSI

Note:

For additional compatability, flow rates and temperature requirements please consult the factory or your local Shelco distributor.

Water Based Flow Chart using a single length element



ORDERING GUIDE

MS	10	C	S	10	N	2	EXP
Product Code	Length	Media	Core	Micron	Core Cover	Diameter	End Treatment
MS	47 = 4 3/4" 5 = 4 7/8" 97 = 9 3/4" 98 = 9 7/8" 10 = 10" 195 = 19 1/2" 20 = 20" 294 = 29 1/4" 30 = 30" 39 = 39" 40 = 40"	B = Fribilated Polypropylene C = *FDA Bleached Cotton E = Polyester F = *FDA Polypropylene G = Glass Fiber N = Nylon P = Industrial Polypropylene R = Rayon U = Natural Cotton W = Industrial Bleached Cotton	P = Polypropylene S = 304 Stainless Steel G = 316 Stainless Steel T = Tin Steel	0.5 1 3 5 10 20 25 30 50 75 100 150	Blank = None N = Non-Woven W = Woven	Blank = 2 1/2" 2 = 2" 3 = 2 3/8" 4 = 2 3/4" 45 = 4 1/2"	EXP = PP Core Extender EXS = SS Core Extender S3 = 222 w/Fin End S4 = 222 w/Flat End S5 = 226 w/Fin End S6 = 226 w/Flat End S8 = SOE w/Spring S12 = 222 w/ Spring EPR = EPR Gaskets Buna = Buna Gaskets F = Fin End Only FL = Flat End Only

Example: MS10PP5

*FDA cotton and poly meet the FDA guildines as acceptable for potable and edible liquid contact according to CFR title 21.



Cap Options

Filter Housings

Shelco manufactures a full line of filter housings. From our rugged single element housings to our heavy-duty multi-rounds and bag housings, we have the right filter for your requirement. Shelco is the perfect choice for your problem solutions.



Single Cartridge Housings



Multi Cartridge Housings



High Flow
Multi Cartridge Housings



Bag Filters



Jumbo Cartridge Housings



Distributed by: John Mulhern Company
800 761-9201 fax 707 578-8692
info@jmulhern.com

SHELCO FILTERS



MicroSentry™

MB SERIES

Melt Blown
Depth Cartridges

Shelco® leads the way with its all new melt blown cartridge. Made of 100% Polypropylene, there are no additives or surfactants used that will cause foaming or other undesirable effects to the throughput. With true graded density construction, these cartridges have the most dirt holding capacity available. With standard lengths to fit most housings, these cartridges are the perfect choice when economy and efficiency are critical.

Features

- Thermally bonded Microfibers create a stable self supporting media
- Meets requirements of the FDA for food and beverage applications
- Graded density construction provides true depth style filtration
- Made of 100% Polypropylene with no surfactants that cause foaming
- Polypropylene construction offers a wide range of chemical compatibility
- Fixed pore construction allows for higher dirt holding capacity without unloading as the differential pressure increases
- Available in 1, 3, 5, 10, 20, 30, 50 ,75,100 microns and lengths up to 50"
- Different end cap configurations available to fit your specific requirements

FDA Compliance

Shelco® MicroSentry™ Melt Blown Cartridges are manufactured of pure polypropylene materials with no additives or other manufacturing agents. Shelco® certifies that all materials used in the production of these cartridges meet the requirements of FDA Title 21 of The Code of Federal Regulations 174.5 and 177.1520.

Applications

- RO Prefilters
- Food & Beverage
- Potable Water
- Plating Solutions
- Electronics
- Wastewater
- Photographic & Chemical solutions
- Commercial & Residential applications

Product Specifications

[Back to Shelco Menu](#)

Nominal Micron Ratings

1, 3, 5, 10, 20, 30, 50, 75, 100

Nominal Lengths

5", 10", 20", 30", 40"

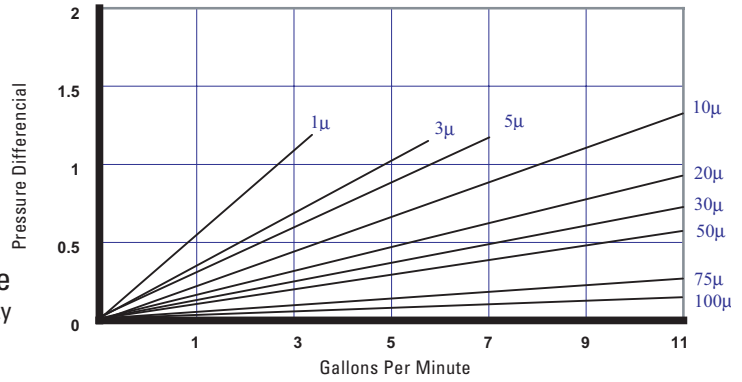
Materials of Construction

Filter Media – 100% Polypropylene

End Caps (Optional) – Polypropylene

Gaskets (Optional) – Various Materials Available

Please consult with a Shelco Technician for proper compatibility



Operating Conditions

140° F (60° C) Max Temperature

Recommended change out: 20 PSID

ORDERING GUIDE

MB	5	-	10	S3	E
PRODUCT CODE	MICRON		LENGTH	END CAP CONFIGURATION	GASKET/O-RING
MB	1		5 = 4 7/8"	Blank = DOE	Blank = None
	3		10 = 9 7/8"	EXP = PP Core Extender	B = Buna-N
	5		20	S3 = 222 w/Fin End	E = EPR
	10		30	S4 = 222 w/Flat End	S = Silicone
	20		40	S5 = 226 w/Fin End	V = Viton
	30			S6 = 226 w/Flat End	PG = Polyethylene
	50			S8 = SOE w/Spring	Flat Gaskets
	75			S12 = 222 w/Spring	
	100			F = Fin End Only	
				FL = Flat End Only	

Part Number Example: MB5-10S3E



Cap Options

Filter Housings

Shelco® manufactures a full line of filter housings. From our rugged single element housings to our heavy-duty multi-rounds and bag housings, we have the right filter for your requirement. Shelco® is the perfect choice for your problem solutions.



#3 and #4 size Housings



Multi Cartridge Housings



High Flow
Multi Cartridge Housings



Bag Filters



Jumbo Cartridge Housings



Distributed by: John Mulhern Company
800 761-9201 fax 707 578-8692
info@jmulhern.com

SHELCO FILTERS



MicroSentry™ R Series

Resin-Bonded Fiber Glass Filter Cartridges

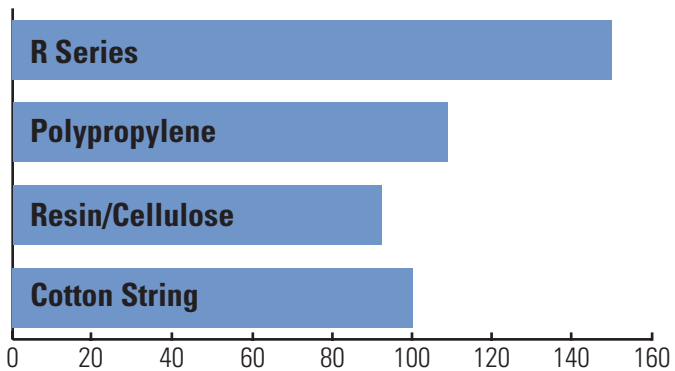
The Shelco resin-bonded cartridge has excellent dirt holding capacity and long service life. The ability to control the glass fiber also gives us excellent efficiencies and flow rates. Offered in a broad range of microns .5 to 125 micron and lengths ranging from 9.75" to 40". Each element is core supported and grooved for high viscosity applications and increased dirt holding.

Applications

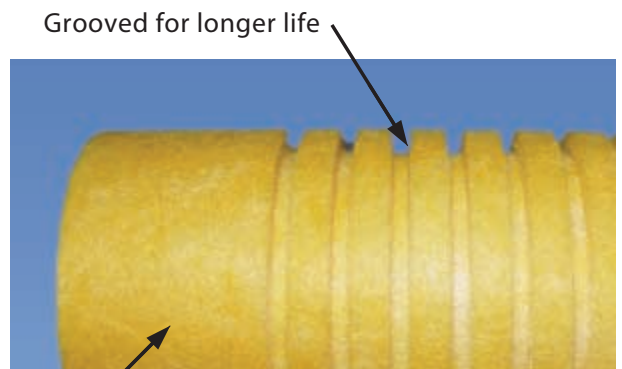
- Printing Inks
- Paints & Varnishes
- Acids
- Coolants
- Coatings
- Solvents
- Lubricating Oils
- Thinners
- Antifreeze / Coolants
- Fuels
- Photo resists
- Insecticides
- Process Water

Superior Filtration

Relative Cartridge Life, %



The chart shows the relative life characteristics of several types of depth filter cartridges commonly used in industrial filter applications. This increase, often as high as 40 percent, translates into significant cost savings in a variety of cost centers.



Cartridge Material	Core Material	*Max Temp	Max Pressure Drop (psi)
Glass Fiber / Phenolic Resin	Polypropylene	160 F (71 C)	75 (5 bar)
	Tin-Coated Steel	300 F (148 C)	100 (7 bar)
	Stainless Steel	300 F (148 C)	100 (7 bar)
	Glass Filled Nylon	300 F (148 C)	80 (5.5 bar)

*Note: Max temperature for water is 150° F regardless of core material.

Operating Conditions

Recommended change out: 25 -30 PSID

For additional compatibility, flow rates and temperature requirements please consult the factory or your local Shelco distributor.

ORDERING GUIDE

R	20	T	10	C	-	1
PRODUCT CODE	LENGTH	CORE	MICRON	COVER		OPTIONS
R	975 = 9 ¾" 10 = 10" 195 = 19 ½" 20 = 20" 294 = 29 ¼" 30 = 30" 39 = 39" 40 = 40"	P = Polypropylene T = Tin Coated Steel G = Glass Filled Nylon S = Stainless Steel	.5 1 3 5 10 25 50 75 125	C = Cotton P = Poly		Blank = None -1 = Core Veil

Filter Housings

Shelco manufactures a full line of filter housings. From our rugged single element housings to our heavy-duty multi-rounds and bag housings, we have the right filter for your requirement. Shelco is the perfect choice for your problem solutions.



Single Cartridge Housings



Multi Cartridge Housings



High Flow
Multi Cartridge Housings



Bag Filters



Jumbo Cartridge Housings



Distributed by: John Mulhern Company
800 761-9201 fax 707 578-8692
info@jmulhern.com

SHELCO FILTERS



MicroSentry™ SS Series

Stainless Steel Cartridges

Shelco® SS series cartridges are the perfect choice for your high temperature applications up to 500°F. 304L or 316L stainless steel offer excellent product compatibility. The SS series has a broad choice of gasket materials and end cap configurations allowing the SS series cartridges to be used in a wide variety of housings. Produced in cylindrical or pleated media for extra cartridge life and offering the advantages of a truly cleanable and reusable cartridge.

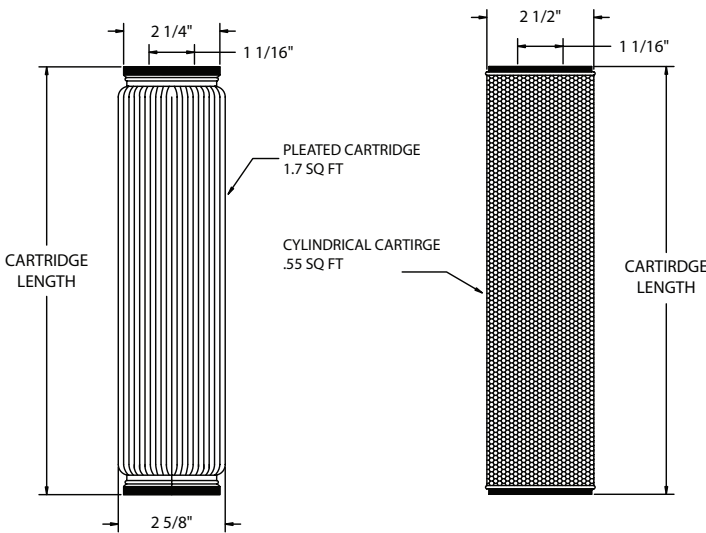
Features

- Available in 304L or 316L Construction and offers a wide range of compatibility with fluids and temperatures
- Many different gasket options to meet your specific requirements
- Micron ratings from 5 to 840 provides a full range of uses from accurate filtration to straining
- End cap configurations consist of DOE with gasketed ends, SOE with 222, 226 or NPT thread
- Pleated elements provide more surface area for longer life and more dirt holding capacity
- All welded construction gives these cartridges the highest mechanical strength available in a stainless cartridge
- Temperatures up to 500°F
- Differential pressures up to 60 PSID
- Cleanable and reusable
- Pleated cartridges 100 micron and finer have a heavy more open support layer to prevent collapsing of the pleats
- Optional pleat protector available to prevent denting and damage to the pleated surface

Applications

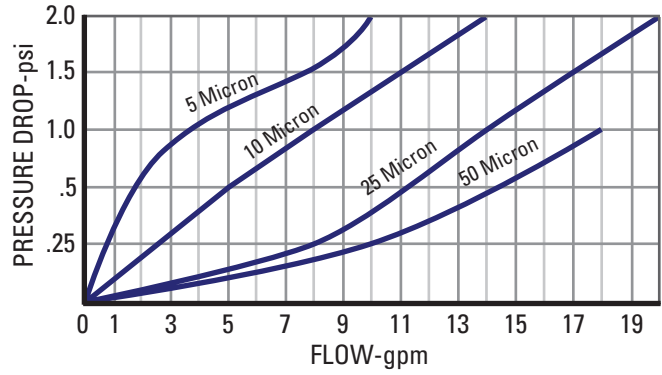
- | | | |
|------------------------------|---------------------|-------------------------------|
| • High Temperature | • Plating Solutions | • Chemical Solutions |
| • High Differential Pressure | • Electronics | • Corrosive Liquids and Gases |
| • Potable Water | • Wastewater | • Viscous Fluids |
| • Caustic Fluids | • Straining | • Hydraulic Oil |

Dimensions



Water Based Flow Chart

Using a 10" Pleated Element



Note:

We recommend a flow rate no greater than 7-8 gpm per 10" on cartridges 50 microns and below for maximum life and change out. You will also need to consider the pressure drop across the housing when sizing.

ORDERING GUIDE

SS	975	-	75	P	1M	E	-	PL	-	316
Product Code	Length		Micron	Style	End Cap Configuration	Gasket O-Ring		Pleat Protector		Material
SS=Stainless Steel	5 = 4 7/8" 975 = 9 3/4" 978 = 9 7/8" 10 = 10" 195 = 19 1/2" 20 = 20" 295 = 29 1/4" 30 = 30" 40 = 40"		5 10 20 40 75 100 120 150 190 230 280 370 540 840	C = Cylindrical P = Pleated	Blank = DOE S4 = 222 w/Flat End S6 = 226 w/Flat End 1M = 1" NPTM 1F = 1" NPTF	B = Buna E = EPR T = Teflon V = Viton		PL = Pleat Protector		Blank = 304L 316 = 316L

Filter Housings

Shelco manufactures a full line of filter housings. From our rugged single element housings to our heavy-duty multi-rounds and bag housings, we have the right filter for your requirement. Shelco is the perfect choice for your problem solutions.



Single Cartridge Housings



Multi Cartridge Housings



High Flow
Multi Cartridge Housings



Bag Filters



Jumbo Cartridge Housings



Distributed by: John Mulhern Company
800 761-9201 fax 707 578-8692
info@jmulhern.com

SHELCO FILTERS



SCB SERIES

Extruded Activated Carbon Block Filter

The Workhorse

- 5 µm Filtration
- High Adsorptive Capacity and Efficiency
- Efficient Sediment Filter
- No Release of Carbon Fines
- Competitively Priced vs. GAC Filters
- Performance Tested and Verified by Independent Laboratory Testing

Features

SCB filters are the most widely used carbon block devices in the world and provide previously unattainable performance at the lowest price point. SCB filters simultaneously remove chlorine taste, odor, and organic chemicals that contribute to taste and odor while providing the particulate filtration and dirt-holding capacity of an efficient 5 µm nominal sediment filter. These filters are optimized for applications where they perform the role of both a sediment and activated carbon filter.

The extrusion process allows the production of a carbon block with more carbon, but a lower pressure drop. This enables SCB filters to deliver extended life while removing sediment, chlorine taste and odor and organic contaminants from water, aqueous solutions or suspensions. The SCB is also widely used in filtering organic solvents. The SCB is ideal for use in residential and commercial water purification systems, food service, pre- and post-RO systems.

The SCB is manufactured from high purity acid-washed activated carbon. It's dirt-holding capacity and absence of carbon fines makes the SCB the filter of choice. A superior carbon block, SCB combines both high performance and integrity with an exceptional cost-to-performance value. As a result, SCB virtually renders GAC filters obsolete by comparison.

Product Specifications

Order Information

Part No.	O.D. x Length	Filter Weight	Chlorine Capacity @ Flow	µm Rating	Initial ΔP @ Flow
SCB-975	2.70" x 9.75"	0.75 lb	>6,000 gal @ 1.0 GPM	5 µm	2.0 psid @ 1.0 GPM
SCB-20	2.70" x 20"	1.75 lb	>12,000 gal @ 2.0 GPM	5 µm	2.0 psid @ 2.0 GPM
SCB-975-BB	4.25" x 9.75"	2.60 lb	>12,000 gal @ 3.0 GPM	5 µm	4.0 psid @ 3.5 GPM
SCB-20-BB	4.25" x 20"	5.60 lb	>26,000 gal @ 7.0 GPM	5 µm	4.5 psid @ 7.0 GPM

Extruded Carbon = Exceptional Value

Back to
Shelco Menu

SCB filters consist of activated carbon particles fused into a uniform block with enhanced adsorptive capacity and efficiency. SCB filters flow in a radial, outside-to-inside direction, increases dirt-holding capacity and low pressure drop. Unlike granular activated carbon (GAC) filters, SCB cartridges will not channel or bypass, due to the extreme uniformity of their extruded activated carbon core. Service life of the SCB filter is greatly extended by a layer of prefiltration medium.

- No Channeling • No Fluidizing • No Bypassing
- Eliminates Release of Carbon Fines
- Lowest extractables, pure materials of construction
- Maximum service life, resistance to fouling
- Manufactured using FDA-approved materials

Warnings

Maximum Operating Temperature:	125°
Maximum Operating Pressure:	250 psig
Maximum Differential Pressure:	100 psid
Collapse Pressure:	200 psid

SCB filters are not to be autoclaved or steam-sterilized.
Use SCB carbon filters only with microbiologically safe water.

ORDERING GUIDE

SCB	-	975	-	BB
Product Code		Length		Diameter
SCB		5 = 4 7/8" 975 = 9 3/4" 20 = 20" 30 = 30" 40 = 40"		Blank = 2.7" O.D. *BB = 4.25" 3 = 2 3/8" 4 = 2 3/4" 45 = 4 1/2"

*Note: 4.25" OD only available in 9.75" and 20" lengths.

Filter Housings

Shelco manufactures a full line of filter housings. From our rugged single element housings to our heavy-duty multi-rounds and bag housings, we have the right filter for your requirement. Shelco is the perfect choice for your problem solutions.



Single Cartridge Housings



Multi Cartridge Housings



High Flow
Multi Cartridge Housings



Bag Filters



Jumbo Cartridge Housings

Notes:

1. Performance of a given SCB extruded carbon filter varies in direct proportion to the total weight of carbon in each filter.
2. Projected chlorine taste and odor reduction capacity when tested in accordance with NSF/ANSI Standard 42 protocol.
3. Nominal particulate rating (5 µm) is for >85% of a given size as determined from single-pass particle counting results.
4. Absolute particulate rating (10 µm) is for >99.9% of particles of a given size as determined from single-pass particle counting results.
5. Actual results obtained will vary with various combinations of organic contaminants, changes in pH or other conditions encountered in actual use.
6. All information presented here is based on data believed to be reliable. It is offered for evaluation and verification, but is not to be considered a warranty of any kind.
7. SCB filters are designed to fit most standard household and commercial or industrial housings.
8. Contact Shelco to check filter housing compatibility.
9. This cartridge must be placed in an appropriate housing and flushed for a minimum of 5 minutes prior to use.



Distributed by: John Mulhern Company
800 761-9201 fax 707 578-8692
info@jmulhern.com

SHELCO FILTERS



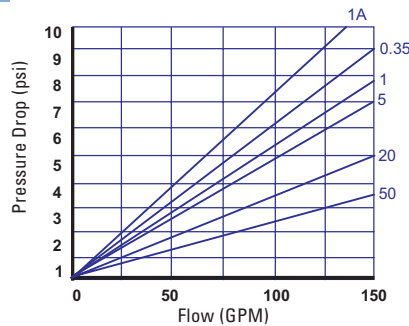
Back to
Shelco Menu



SJC Series

Pleated Jumbo Cartridges

- **Media:** 100% Synthetic Poly / Polyester Blend
- **Center Tubes:** PVC
- **End Caps:** Molded / Polyurethane
- **Temperature Range:** 40°F - 140°F
- **Packaging:** Individually shrink wrapped
- **Reusable:** 5 micron and above are washable and reusable
- **Recommended Change Out:** 20-25 PSID



Jumbo cartridges 170 Series

Maximum Flow Rates Per Cartridge

	Jumbo Series		
	40	90	170
1A micron	20	40	80
0.35 micron	25	50	100
1 micron	30	60	120
5 micron	50	100	150
20 micron	50	100	150
50 micron	50	100	150
100 micron	50	100	150

Standard Design Specifications

MODEL No.	MICRON	OD	LENGTH	CARTON DIMENSIONS	SHIPPING WEIGHT
SJC-40-1A	1A	7 3/4"	9 5/8"	10" x 10" x 12"	4 lb.
SJC-40-0.35	.035	7 3/4"	9 5/8"	10" x 10" x 12"	4 lb.
SJC-40-1	1	7 3/4"	9 5/8"	10" x 10" x 12"	3 lb.
SJC-40-5	5	7 3/4"	9 5/8"	10" x 10" x 12"	3 lb.
SJC-40-20	20	7 3/4"	9 5/8"	10" x 10" x 12"	3 lb.
SJC-40-50	50	7 3/4"	9 5/8"	10" x 10" x 12"	3 lb.
SJC-40-100	100	7 3/4"	9 5/8"	10" x 10" x 12"	3 lb.
SJC-90-1A	1A	7 3/4"	19 1/2"	8" x 8" x 20"	6 lb.
SJC-90-0.35	.035	7 3/4"	19 1/2"	8" x 8" x 20"	6 lb.
SJC-90-1	1	7 3/4"	19 1/2"	8" x 8" x 20"	5 lb.
SJC-90-5	5	7 3/4"	19 1/2"	8" x 8" x 20"	5 lb.
SJC-90-20	20	7 3/4"	19 1/2"	8" x 8" x 20"	5 lb.
SJC-90-50	50	7 3/4"	19 1/2"	8" x 8" x 20"	5 lb.
SJC-90-100	100	7 3/4"	19 1/2"	8" x 8" x 20"	5 lb.
SJC-170-1A	1A	7 3/4"	30 3/4"	8" x 8" x 31"	9 lb.
SJC-170-0.35	.035	7 3/4"	30 3/4"	8" x 8" x 31"	9 lb.
SJC-170-1	1	7 3/4"	30 3/4"	8" x 8" x 31"	8 lb.
SJC-170-5	5	7 3/4"	30 3/4"	8" x 8" x 31"	8 lb.
SJC-170-20	20	7 3/4"	30 3/4"	8" x 8" x 31"	8 lb.
SJC-170-50	50	7 3/4"	30 3/4"	8" x 8" x 31"	8 lb.
SJC-170-100	100	7 3/4"	30 3/4"	8" x 8" x 31"	8 lb.



Distributed by: John Mulhern Company
800 761-9201 fax 707 578-8692
info@jmulhern.com

SHELCO FILTERS

Back to
Shelco Menu



distributed by:

John Mulhern Company
 PO Box 6604, Santa Rosa, CA 95406
 800 761-9201 707 578-5105 fax 707 578-8692
 info@jmulhern.com www.jmulhern.com

© Shelco Filters Printed in the USA

**General Catalog
2006**



SHELCO FILTERS